

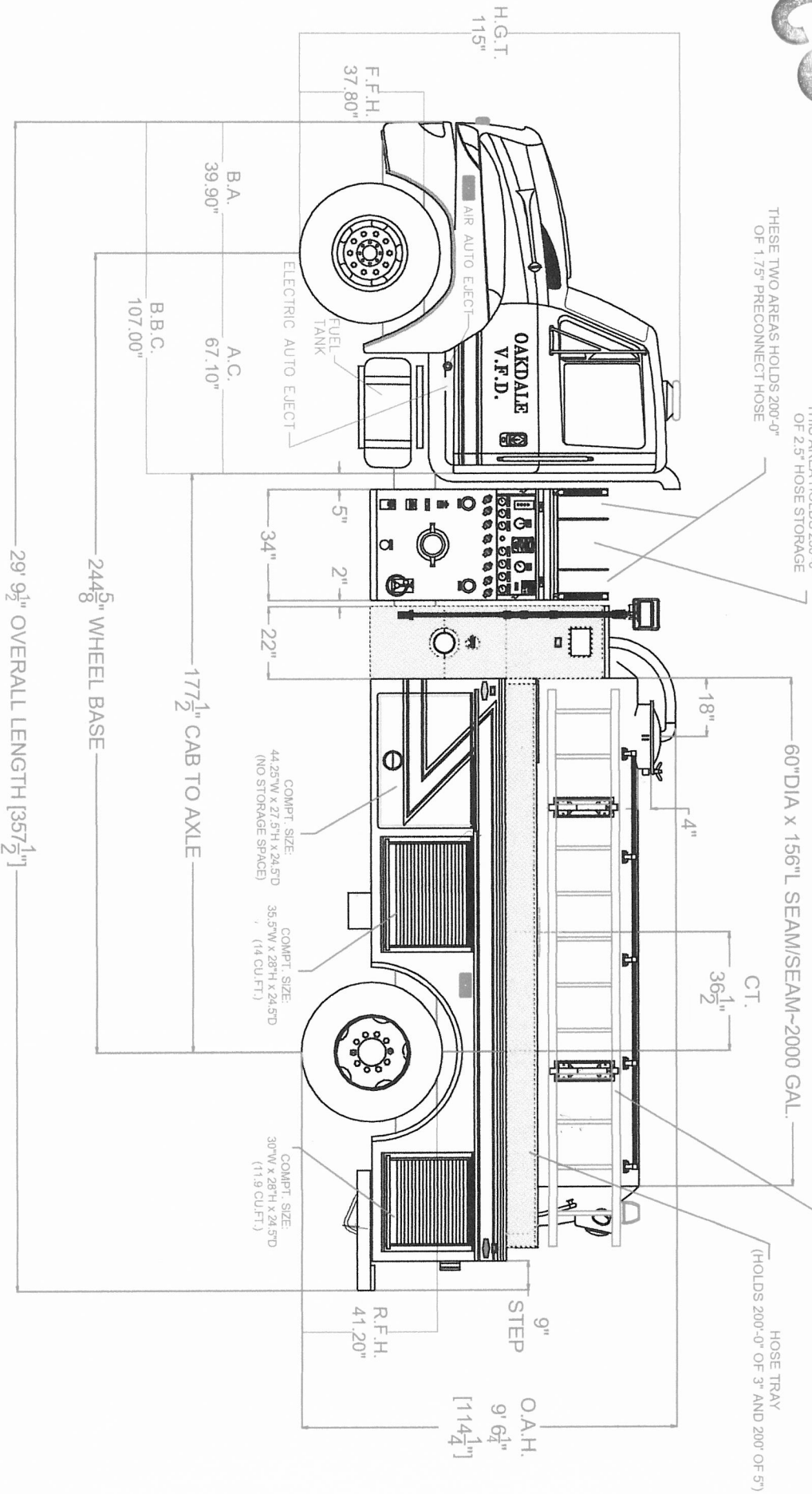
COPY

THIS AREA HOLDS 250'-0"
OF 2.5" HOSE STORAGE
THESE TWO AREAS HOLDS 200'-0"
OF 1.75" PRECONNECT HOSE

60" DIA X 156" L SEAM/SEAM~2000 GAL.

LADDER BRACKET
(HOLDS TWO FLY 24" LADDER)

HOSE TRAY
(HOLDS 200'-0" OF 3" AND 200' OF 5")

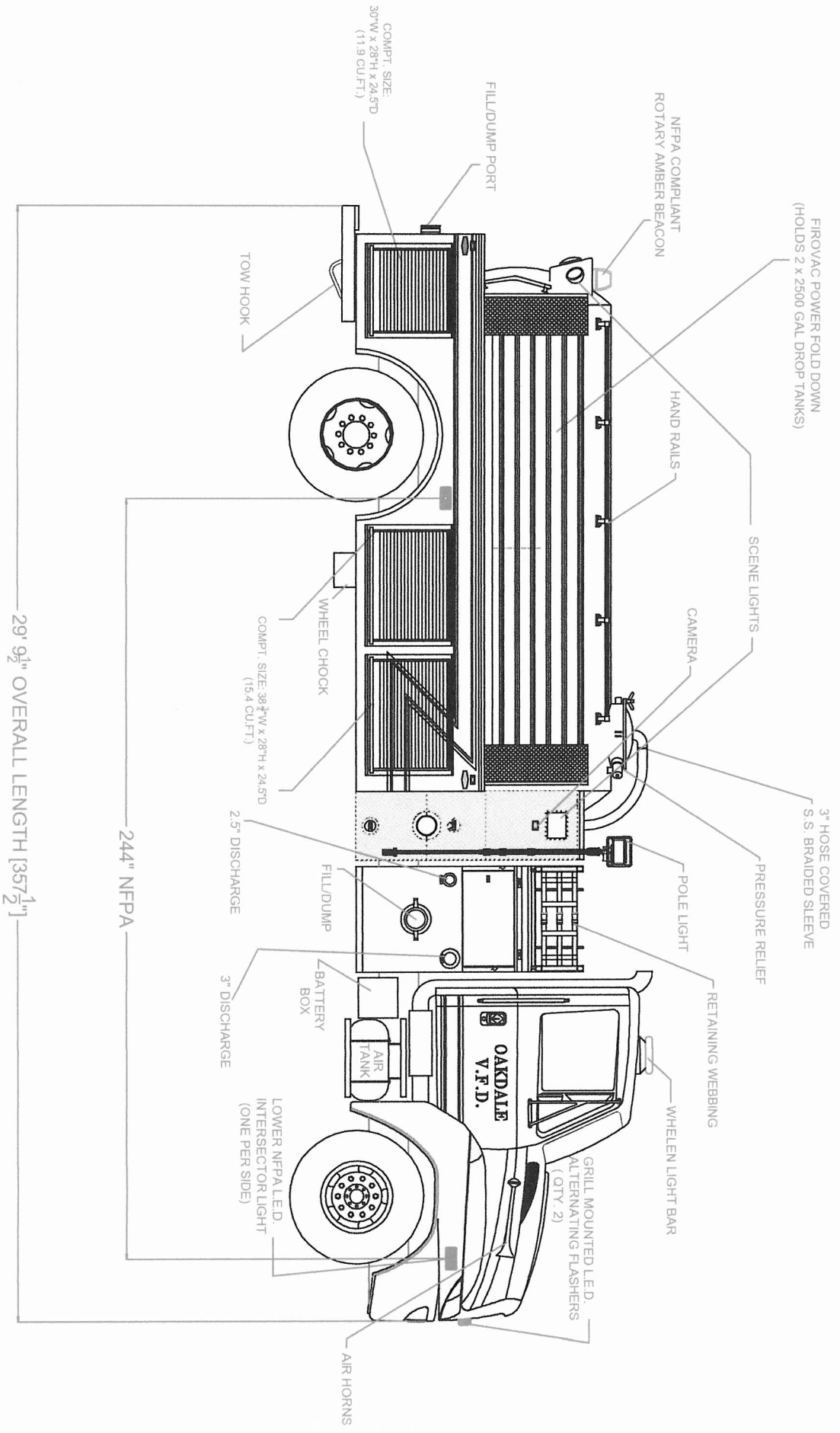


INTERNATIONAL 7500
 2000 GAL. ALUM. TANK
 ALUM. HAWK BODY
 1250 GPM (CERT.)

ATTENTION:
 THIS DOCUMENT AND THE DATA ENCLOSED HEREIN AND HEREAFTER IS NOT
 TO BE REPRODUCED, USED, OR DISCLOSED IN WHOLE OR IN PART,
 WITHOUT THE EXPRESSED, WRITTEN CONSENT OF FROVAC AND IS SUBJECT
 TO RETURN UPON REQUEST.

REV.		PDF	
TITLE	OAKDALE V.F.D.	SCALE	NTS
LEFT SIDE VIEW		DATE	06-28-17
DRAWN BY		TIMOTHY GRIFFIN	

**INTERNATIONAL 7500
2000 GAL. ALUM. TANK
ALUM. HAWK BODY
1250 GPM (CERT.)**



29' 9¹/₂" OVERALL LENGTH [357¹/₂"]

244" NFPA

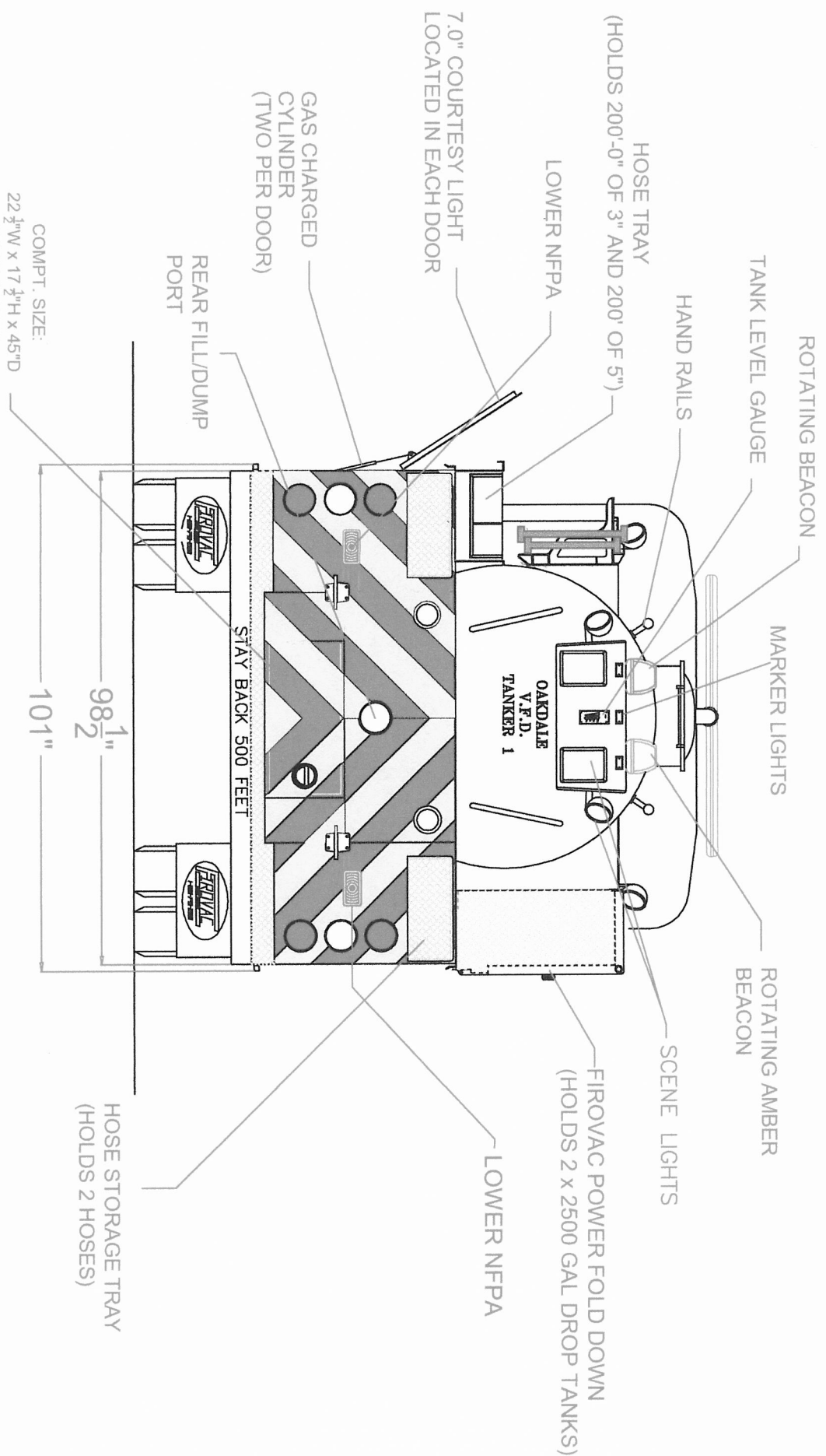
ATTENTION:
THIS DOCUMENT AND THE DATA ENCLOSED HEREIN AND HEREWITH IS NOT
TO BE REPRODUCED, USED, OR DISCLOSED IN WHOLE OR IN PART
WITHOUT THE EXPRESSED, WRITTEN CONSENT OF FIROVAC AND IS SUBJECT
TO RETURN UPON REQUEST.

TITLE		OAKDALE V.F.D.	
RIGHT SIDE VIEW		DATE	
REV.	PDF	SCALE	NTS
SIZE	A	DWG	OAKDALE 2000 HAWK.dwg
DRAWN BY		TIMOTHY GRIFFIN	
DATE		06-28-17	



TM

60" DIA x 156" L TANK



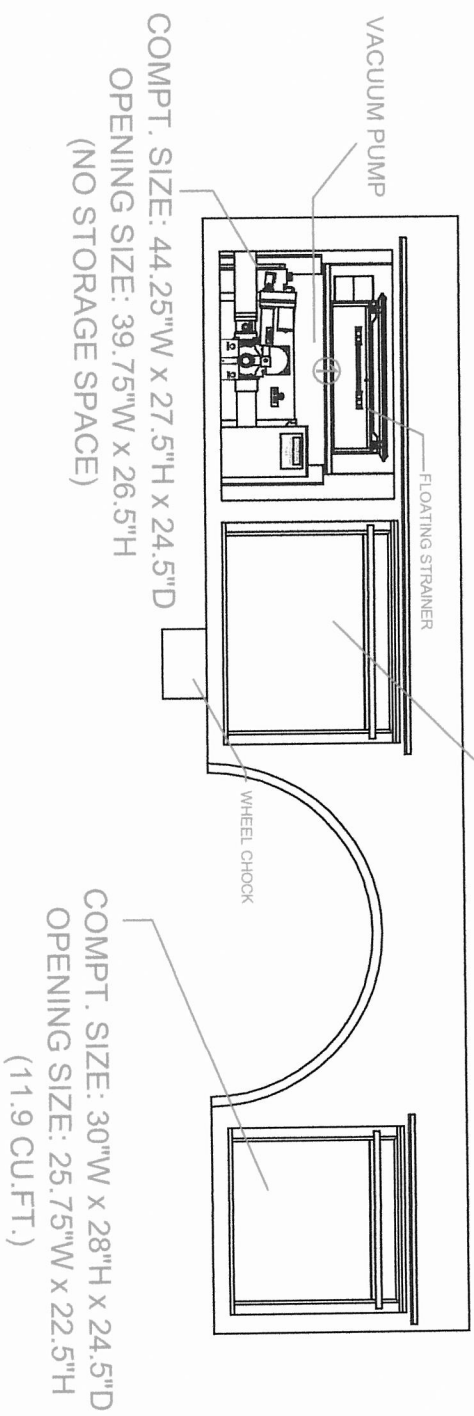
COMPT. SIZE:
 22 3/4"W x 17 3/4"H x 45"D
 (10.25 CU.FT.)

INTERNATIONAL 7500
 2000 GAL. POLISH ALUM. TANK
 ALUM. HAWK BODY
 1250 G.P.M. (CERT.)

ATTENTION:
 THIS DOCUMENT AND THE DATA ENCLOSED HEREIN AND HEREEITH IS NOT
 TO BE REPRODUCED, USED, OR DISCLOSED IN WHOLE OR IN PART
 WITHOUT THE EXPRESSED, WRITTEN CONSENT OF FIROVAC AND IS SUBJECT
 TO RETURN UPON REQUEST.

REV.		PDF	
SCALE	NTS	DWG	DATE
A	NTS	OAKDALE_2000_HAWK.dwg	06-28-17
DRAWN BY		TIMOTHY GRIFFIN	
			
TITLE			
OAKDALE V.F.D.			
REAR VIEW			

COMPT. SIZE: 35.5"W x 28"H x 24.5"D
 OPENING SIZE: 31.25"W x 22.5"H
 (14 CU.FT.)



USABLE STORAGE ON DRIVERS SIDE (LEFT SIDE) = 25.9 CU.FT.

USABLE STORAGE ON PASSENGERS SIDE (RIGHT SIDE) = 42.7 CU.FT.

USABLE STORAGE ON REAR = 10.25 CU.FT.

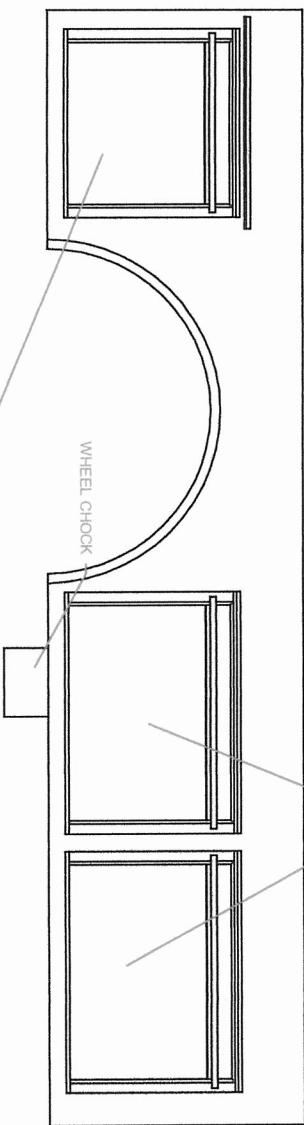
USABLE TOTAL STORAGE IN TRUCK = 78.85 CU.FT.

INTERNATIONAL 7500
 2000 GAL. ALUM. TANK
 ALUM. HAWK BODY
 1250 GPM (CERT.)

ATTENTION: THIS DOCUMENT AND THE DATA ENCLOSED HEREIN AND HEREIFTH IS NOT TO BE REPRODUCED, USED, OR DISCLOSED IN WHOLE OR IN PART WITHOUT THE EXPRESSED, WRITTEN CONSENT OF FROVAC AND IS SUBJECT TO RETURN UPON REQUEST.

PDF		REV	
SCALE		NTS	
SIZE		A	
TITLE		DAKDALE VFD	
LEFT SIDE COMP. SPACE		DATE	
06-28-17		TIMOTHY GRIFFIN	
FROVAC		DAKDALE 2000 HAWK BODY	

COMPT. SIZE: 38 $\frac{3}{4}$ "W x 28"H x 24.5"D
 OPENING SIZE: 35 $\frac{1}{2}$ "W x 22 $\frac{1}{2}$ "H
 (15.4 CU.FT.)




COMPT. SIZE: 30"W x 28"H x 24.5"D
 OPENING SIZE: 25.75"W x 22.5"H
 (11.9 CU.FT.)

- USABLE STORAGE ON DRIVERS SIDE (LEFT SIDE) = 25.9 CU.FT.
- USABLE STORAGE ON PASSENGERS SIDE (RIGHT SIDE) = 42.7 CU.FT.
- USABLE STORAGE ON REAR = 10.25 CU.FT.
- USABLE TOTAL STORAGE IN TRUCK = 78.85 CU.FT.

INTERNATIONAL 7500
 2000 GAL. ALUM. TANK
 ALUM. HAWK BODY
 1250 GPM (CERT.)

ATTENTION:
 THIS DOCUMENT AND THE DATA ENCLOSED HEREIN AND HEREAFTER IS NOT
 TO BE REPRODUCED, USED, OR DISCLOSED IN WHOLE OR IN PART
 WITHOUT THE EXPRESSED, WRITTEN CONSENT OF FROVAC AND IS SUBJECT
 TO RETURN UPON REQUEST.

		TITLE	OAKDALE VFD
		DATE	06-28-17
SCALE	NTS	DRAWN BY	TIMOTHY GRIFFIN
SIZE	A	DWG	OAKDALE 2000 GPM 4M
PDF		REV	