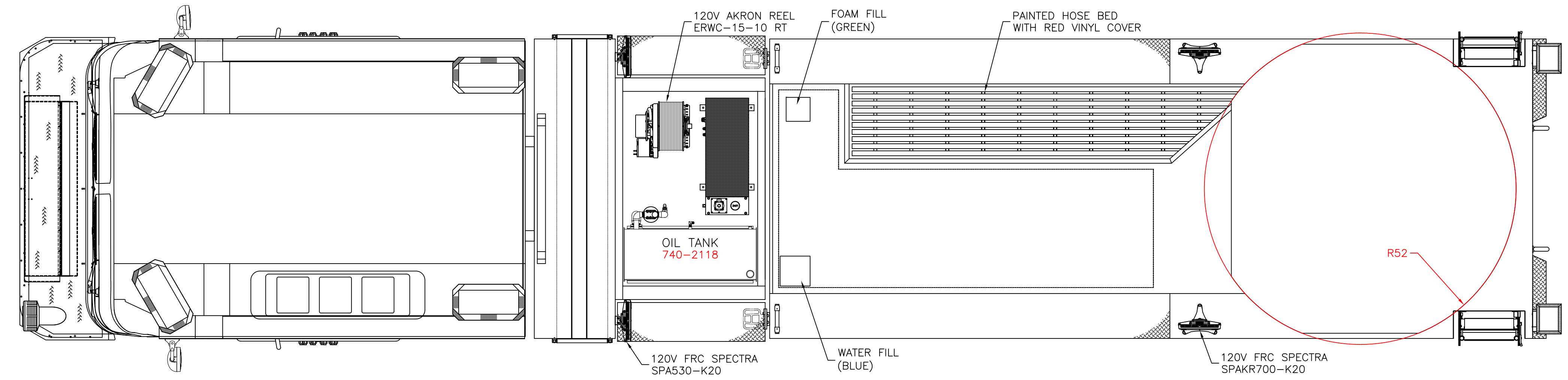
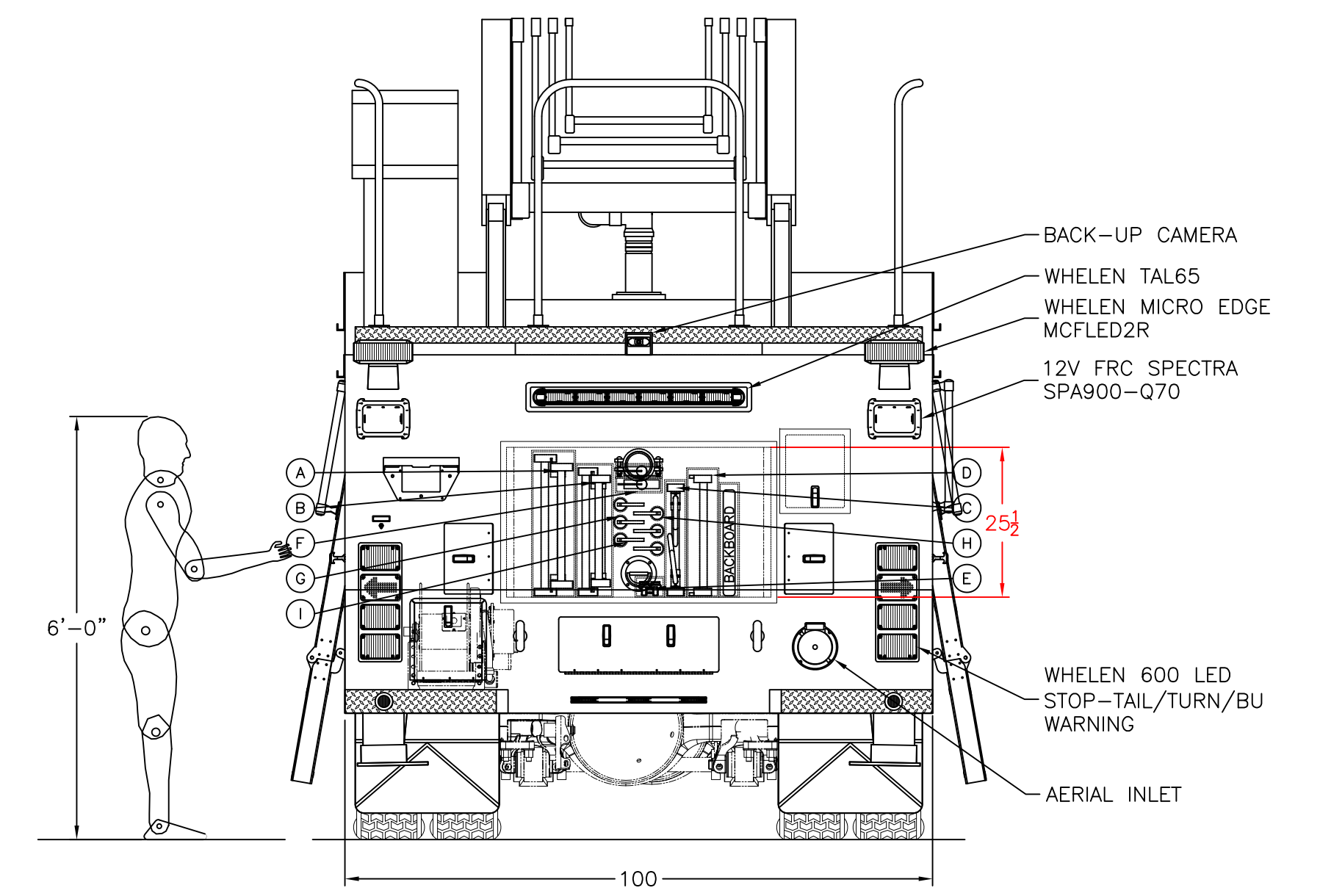
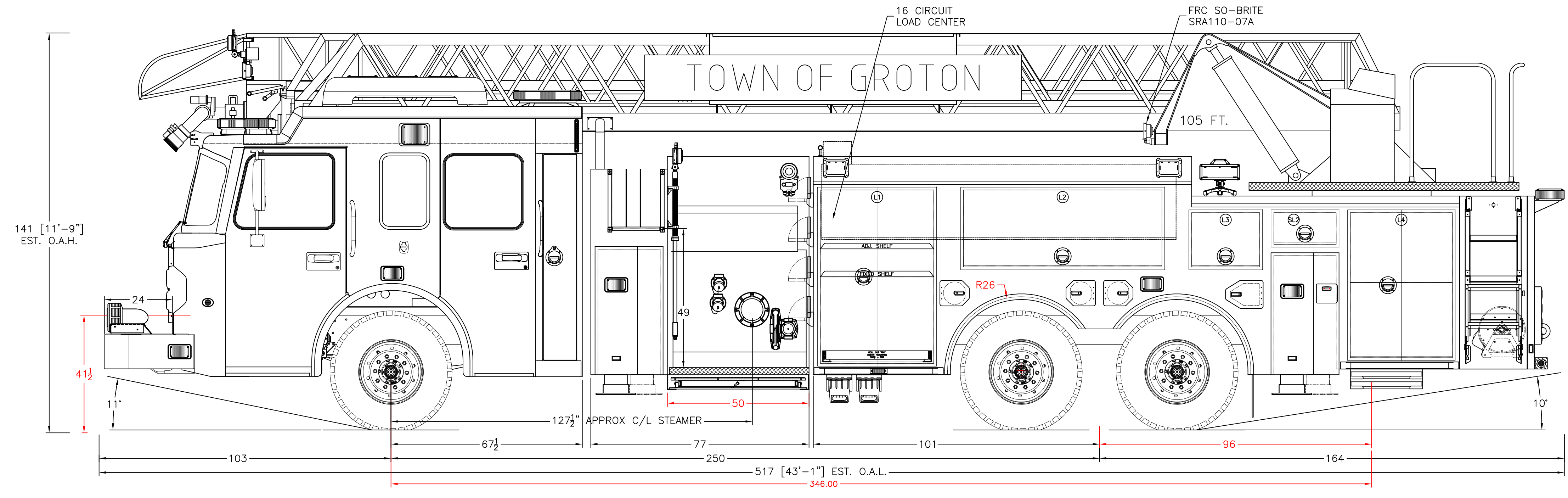


COMPT.	DOOR OPENING	INTERIOR	DIVIDE HEIGHT	UPPER DEPTH	LOWER
L1	40" W x 60" H	42.5" W x 72.5" H	30"	13"	22"
L2	70" W x 26" H	91" W x 38.5" H	-	13"	13"
L3	24" W x 18" H	29" W x 24.5" H	-	13"	13"
L4	36" W x 50" H	43.5" W x 56.5" H	26"	13"	23"
R1	40" W x 60" H	42.5" W x 72.5" H	-	13"	13"
R2	70" W x 26" H	91" W x 38.5" H	-	13"	13"
R3	24" W x 18" H	29" W x 24.5" H	-	13"	13"
R4	36" W x 50" H	43.5" W x 56.5" H	26"	13"	23"
SL2	22" W x 10" H	22" W x 16.5" H	-	13"	13"
SR2	22" W x 10" H	22" W x 16.5" H	-	13"	13"



- SHOP INSTRUCTIONS
- FOAM SYSTEM: FOAM PRO 2002
  - FOAM CAPABLE DISCHARGES:
  - FRONT BUMPER
  - CROSSSLAYS
  - COMPARTMENT FINISH: STAINLESS
  - SHELVES/TRAYS FINISH: ABRADED
  - STAINLESS BODY
  - GALVANIZED TORQUE BOX

ITEM	DESCRIPTION	MODEL #	QTY
A	35' 2 SEC EXTENSION	1200-A	1
B	24' 2 SEC EXTENSION	900-A	1
C	14' ROOF	775-A	1
D	14' COMBO	35-B	1
E	10' FOLDING ATTIC	585-A	1
F	4' D-HANDLE PIKE POLE	NHF-4 W/D	2
G	6' PIKE POLE	NHF-6	2
H	8' PIKE POLE	NHF-8	2
I	12' PIKE POLE	NHF-12	2



**NOTE:**  
THIS DRAWING IS THE PROPERTY OF SPARTAN MOTORS USA AND IS TO BE USED ONLY IN REFERENCE TO THE WORK PROPOSED OR CONTRACTED BY SPARTAN MOTORS USA ANY REPRODUCTION IN PART OR IN WHOLE WITHOUT THE WRITTEN PERMISSION OF SPARTAN MOTORS USA IS STRICTLY PROHIBITED.  
DIMENSIONS SHOWN ARE APPROXIMATE AND ARE SUBJECT TO CHANGE AS MAY BE FOUND NECESSARY DURING CONSTRUCTION. THIS DRAWING MUST BE PLOTTED TO THE PAPER SIZE LISTED IN THE TITLE BLOCK FOR THE LISTED SCALE TO BE VALID.  
THIS DRAWING IS FOR REFERENCE PURPOSES ONLY. SOME ITEMS MAY OR MAY NOT APPEAR ON THE DRAWING THAT MAY OR MAY NOT BE INCLUDED IN THE SPECIFICATIONS. THE SPECIFICATIONS SHALL BE THE FINAL AUTHORITY TO DETERMINE WHAT IS SUPPLIED ON THE APPARATUS.

REV.	INT.	DATE	REVISION HISTORY DESCRIPTION

**SHOP PRINT  
PRE-CONSTRUCTION  
WORK IN PROGRESS**

CHASSIS: SPARTAN GLADIATOR LFD 10" RAISED ROOF WITH 13" TRENCH  
ENGINE: CUMMINS X15 505HP WITH ALLISON 4000 EVS  
PUMP: WATEROUS CSUC20 2000 GPM  
WATER TANK: 500 U.S. GAL  
FOAM CELL: 20 U.S. GAL  
BODY MATERIAL: 304 STAINLESS STEEL  
HOSE BED: 1000' OF 5" / 40 CUBIC FEET  
GENERATOR: HARRISON 10KW MCR  
COMPARTMENTS: 171 CUBIC FEET  
GALVANIZED TORQUE BOX  
ADDITIONAL PENETRATION STABILIZERS

**SMEAL**  
A SPARTAN MOTORS BRAND

610 W 4TH ST  
SNYDER, NE  
PHONE: (402) 568-2224  
WWW.SMEAL.COM

GROTON FIRE DEPARTMENT GROTON, MA			
MODEL:	105' REAR MOUNT AERIAL		
DEALERSHIP:	NEFEA		
SCALE:	1/2" = 1'	DRAWN BY:	ML
DATE:	07/11/17		
SIZE:	24" X 36"	DRAWING NO.:	S4816
SHEET:	1 OF 1	REV.:	00