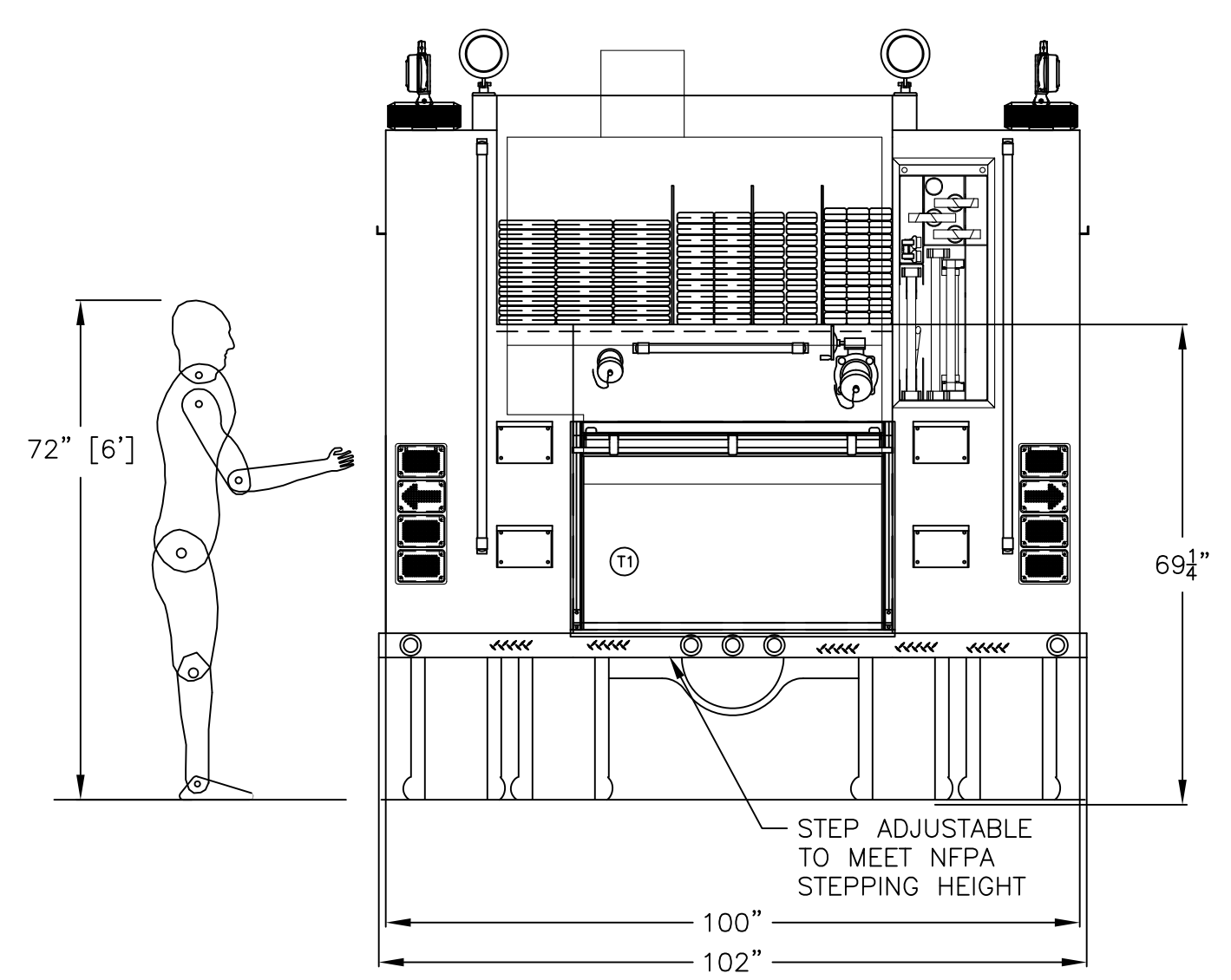
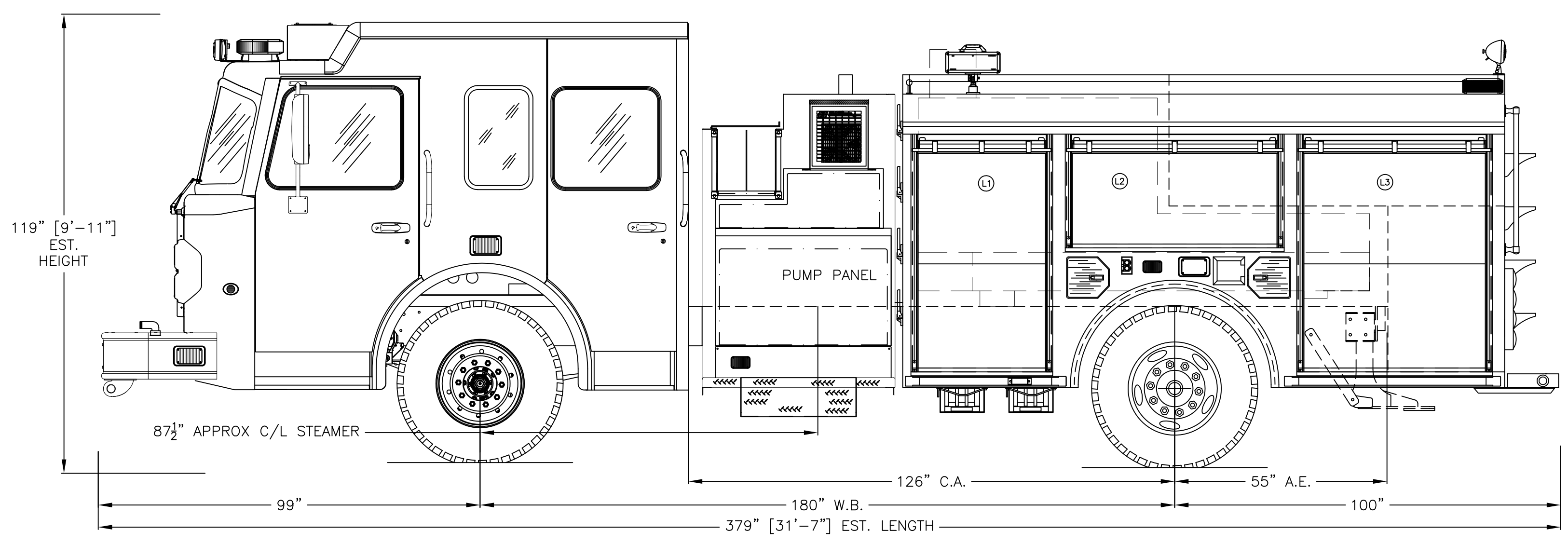


12' 6"
12' 0"
11' 6"
11' 0"
10' 6"
10' 0"
9' 6"
9' 0"
8' 6"
8' 0"
7' 6"
7' 0"
6' 6"
6' 0"
5' 6"
5' 0"
4' 6"
4' 0"
3' 6"
3' 0"
2' 6"
2' 0"
1' 6"
1' 0"
6"

COMPT.	DOOR OPENING	INTERIOR	DIVIDE HEIGHT	USG. DEPTH	W.D.
L1/R1	33"W x 55.5"H	36"W x 70"H	27"	15"	26"
L2/R2	53"W x 23.5"H	60"W x 36"H	N/A	15"	N/A
L3/R3	47"W x 55.5"H	50"W x 70"H	27"	15"	26"
T1	43"W x 24"H	46"W x 40"H	N/A	N/A	28"

ITEM	DESCRIPTION	MODEL #	QTY
A	24' 2-SEC EXTENSION	900-A	1
B	14' ROOF	775-A	1
C	10' FOLDING ATTIC	585-A	1
D	PIKE POLE	-	4



NOTE:
 THIS DRAWING IS THE PROPERTY OF SPARTAN MOTORS USA AND IS TO BE USED ONLY IN REFERENCE TO THE WORK PROPOSED OR CONTRACTED BY SPARTAN MOTORS USA ANY REPRODUCTION IN PART OR IN WHOLE WITHOUT THE WRITTEN PERMISSION OF SPARTAN MOTORS USA IS STRICTLY PROHIBITED.
 DIMENSIONS SHOWN ARE APPROXIMATE AND ARE SUBJECT TO CHANGE AS MAY BE FOUND NECESSARY DURING CONSTRUCTION. THIS DRAWING MUST BE PLOTTED TO THE PAPER SIZE LISTED IN THE TITLE BLOCK FOR THE LISTED SCALE TO BE VALID.
 THIS DRAWING IS FOR REFERENCE PURPOSES ONLY. SOME ITEMS MAY OR MAY NOT APPEAR ON THE DRAWING THAT MAY OR MAY NOT BE INCLUDED IN THE SPECIFICATIONS. THE SPECIFICATIONS SHALL BE THE FINAL AUTHORITY TO DETERMINE WHAT IS SUPPLIED ON THE APPARATUS.

REV.	INT.	DATE	REVISION HISTORY
01	XX	XX/XX/XX	-

PROPOSAL

CHASSIS: SPARTAN METRO STAR MFD 10" RAISED ROOF
 ENGINE: CUMMINS L9 380HP WITH ALLISON 000 EVS
 PUMP: HALE QTWO 1250 GPM
 WATER TANK: 750 U.S. GAL
 FOAM CELL: N/A
 BODY MATERIAL: 1/8" ALUMINUM
 HOSE BED: 95 CUBIC FEET
 GENERATOR: HARRISON 6KW MCR
 COMPARTMENTS: 140 CUBIC FEET



CITY OF WHITE PLAINS WHITE PLAINS, NY			
SIDE MOUNT PUMPER			
MODEL:	NEFEA		
DEALERSHIP:	NEFEA		
SCALE: 1/2" = 1'	DRAWN BY: D.Brodd	DATE: 03/01/2019	REV: 01
SHEET: 1 OF 1	DRAWING NO: 19959		