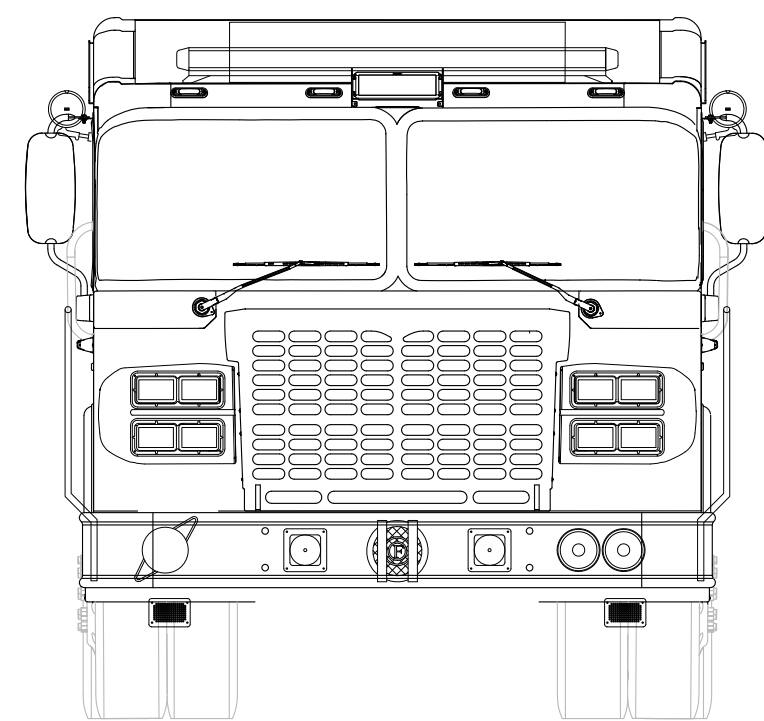
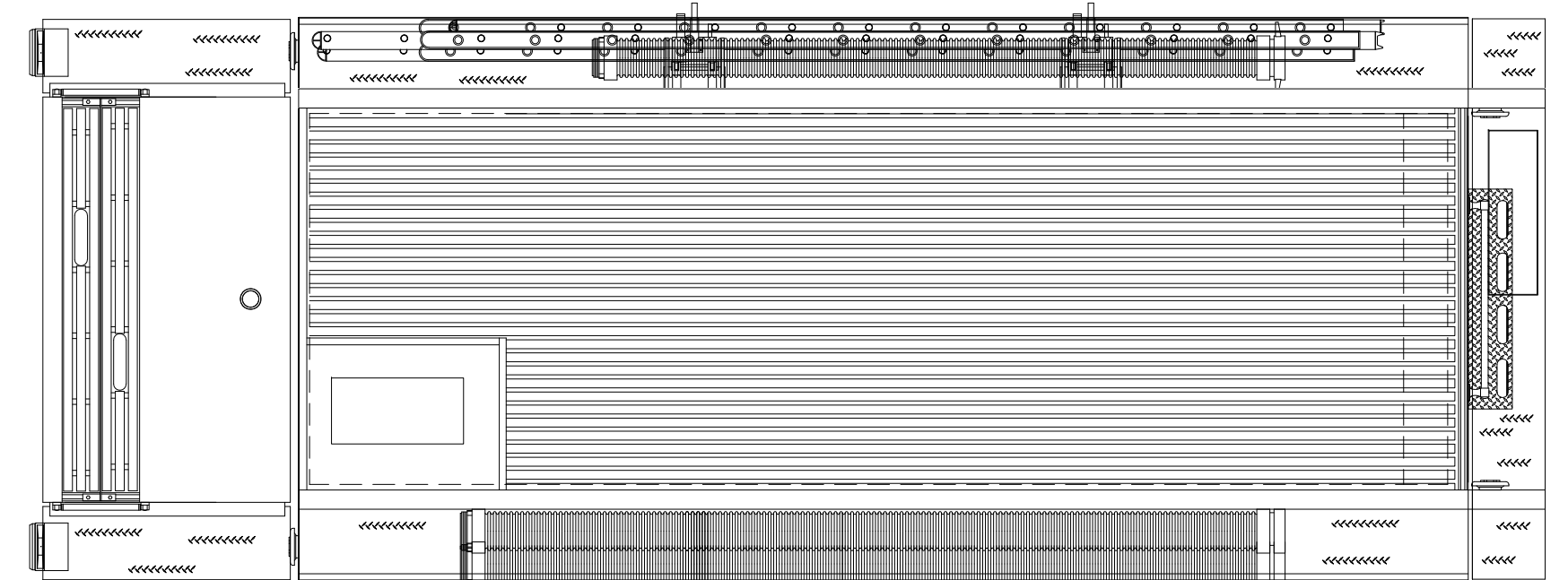
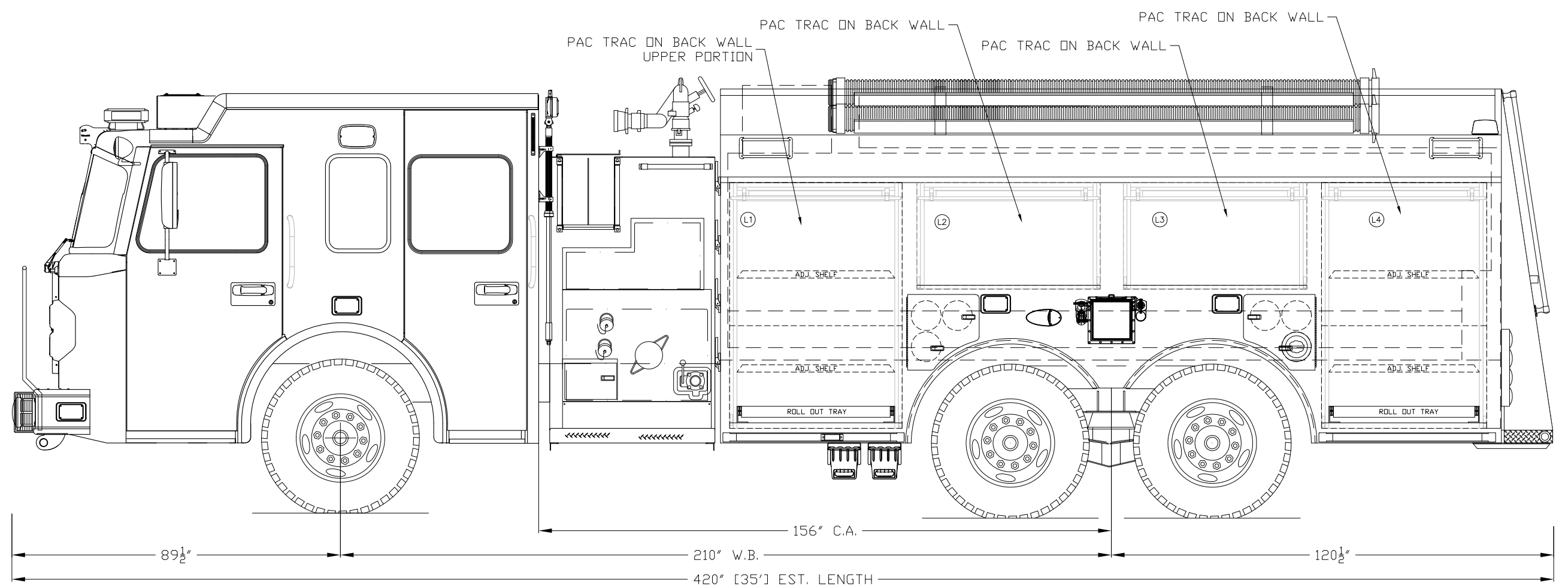


COMP.	OPENING	UPPER DEPTH	LOWER
L1	44W X 60.5H	12.25	25.75
L2/L3	47W X 23H	12.25	N/A
L4	42W X 60.5H	12.25	25.75
R1	44W X 42.5H	12.25	18
R2/R3	50W X 10H	11.25	N/A
R4	42W X 42.5H	12.25	25.75
INTERMEDIATE DIVIDE HEIGHT			
L1/L4	26.5	R1/R4	26.5
GROUND LADDERS & PIKE POLES			
ITEM	LADDER LENGTH	MODEL	QTY
A	28' 2-SEC	1200A	1
B	14' ROOF	775A	1
C	10' ATTIC	585A	1
D	PIKE POLES	-	5
E			
F			
G			
H			
I			



124" (10'-4") EST. HEIGHT

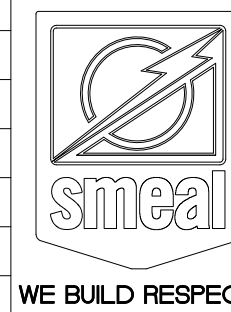


FOR REFERENCE PURPOSES ONLY

PUMP: WATERDUS CSUC20 1500 GPM
TANK: POLY 2500 GAL
FOAM: NONE
BODY: ALUMINUM
CHASSIS: SPARTAN GLADIATOR MFD
HOSE BED: 93 CU FT
COMP'T CU FT: 108 CU FT

PROPOSAL

Approval Signatures	Date
CUSTOMER	
DEALER	
SMEAL SALES	
PRODUCTION	
ENGINEERING	



Revisions
REVISED BY D.BRODD

SMEAL FIRE APPARATUS SNYDER, NE 68664		
MAHOPAC FALLS VFD MAHOPAC, NY		
Drawn by: S. STUMPE	Scale: 3/8"=1'	Material:
Checked by:	Date: 7/17/18	Drawing No.:
11 x 17	BID	19293-03