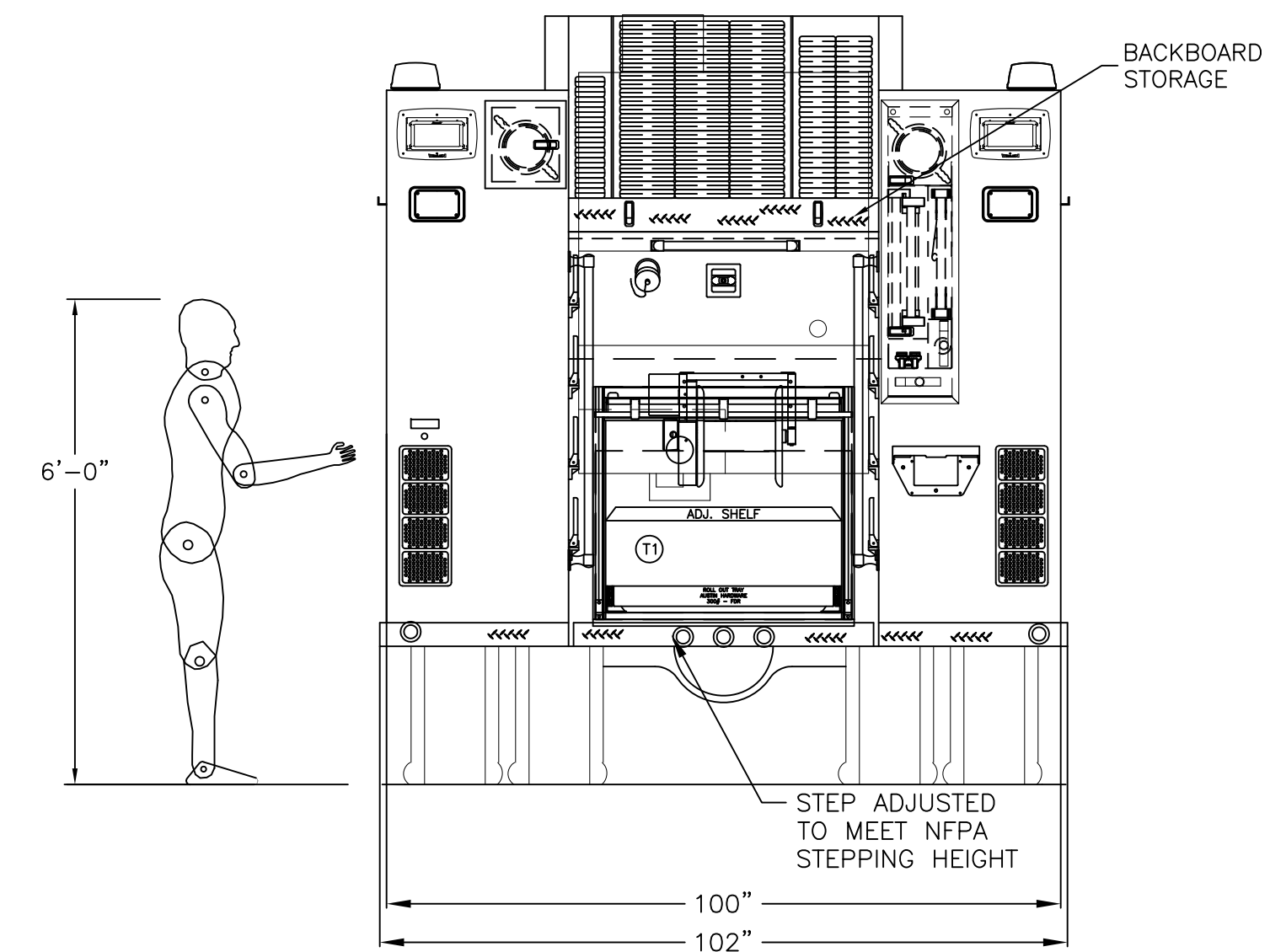
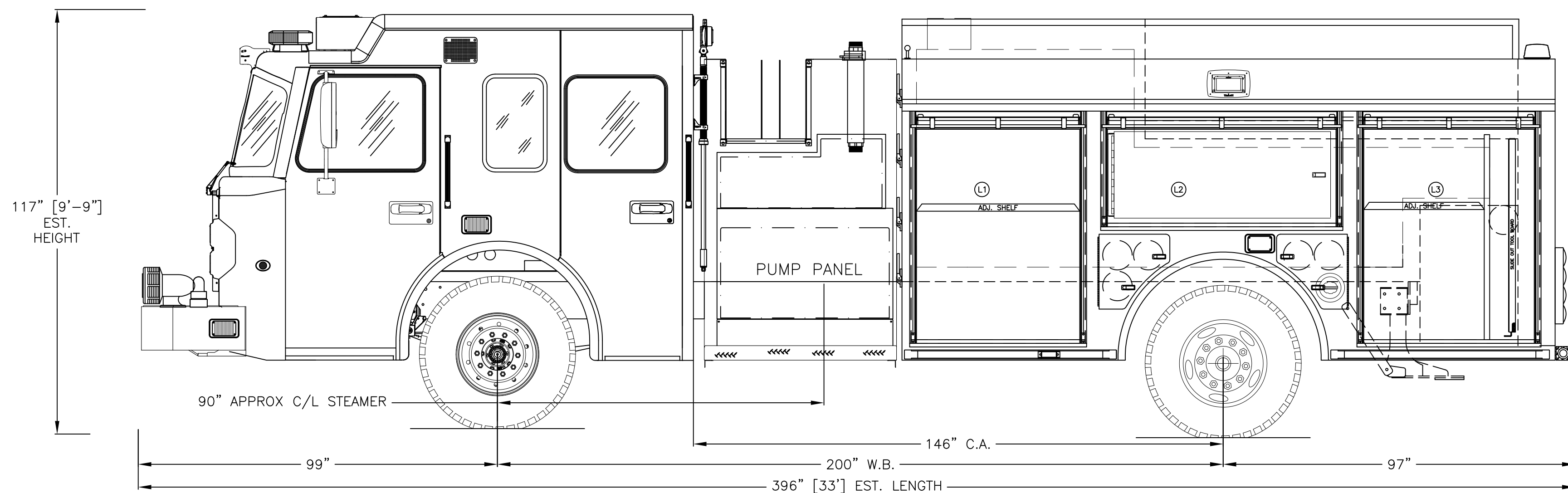


COMPARTMENT DIMENSIONS					
COMPT.	DOOR OPENING	INTERIOR	DIVIDE HEIGHT	USG. DEPTH	LOADS
L1	45"W x 58"H	50"W x 72"H	N/A	26"	25"
L2	63"W x 26"H	74"W x 38"H	N/A	26"	N/A
L3	47"W x 58"H	50"W x 72"H	N/A	26"	26"
R1	45"W x 58"H	50"W x 72"H	27"	15"	26"
R2	63"W x 26"H	74"W x 38"H	N/A	15"	N/A
R3	47"W x 58"H	50"W x 72"H	27"	15"	26"
T1	35"W x 28.5"H	46"W x 37.5"H	N/A	25"	25"

GROUND LADDERS & PIKE POLES			
ITEM	DESCRIPTION	MODEL #	QTY
A	24' 2-SEC EXTENSION	900-A	1
B	14' ROOF	775-A	1
C	10' FOLDING ATTIC	585-A	1
D	PIKE POLE	-	2



NOTE:
THIS DRAWING IS THE PROPERTY OF SPARTAN MOTORS USA AND IS TO BE USED ONLY IN REFERENCE TO THE WORK PROPOSED OR CONTRACTED BY SPARTAN MOTORS USA ANY REPRODUCTION IN PART OR IN WHOLE WITHOUT THE WRITTEN PERMISSION OF SPARTAN MOTORS USA IS STRICTLY PROHIBITED.
DIMENSIONS SHOWN ARE APPROXIMATE AND ARE SUBJECT TO CHANGE AS MAY BE FOUND NECESSARY DURING CONSTRUCTION. THIS DRAWING MUST BE PLOTTED TO THE PAPER SIZE LISTED IN THE TITLE BLOCK FOR THE LISTED SCALE TO BE VALID.
THIS DRAWING IS FOR REFERENCE PURPOSES ONLY. SOME ITEMS MAY OR MAY NOT APPEAR ON THE DRAWING THAT MAY OR MAY NOT BE INCLUDED IN THE SPECIFICATIONS. THE SPECIFICATIONS SHALL BE THE FINAL AUTHORITY TO DETERMINE WHAT IS SUPPLIED ON THE APPARATUS.

REV.	INT.	DATE	REVISION HISTORY DESCRIPTION
01	SDS	10/9/17	ORIGINAL LAYOUT FOR ORDER ENTRY

PRE-CONSTRUCTION

CHASSIS: SPARTAN GLADIATOR MFD 10" RAISED ROOF
ENGINE: CUMMINS L9 450HP WITH ALLISON 3000 EVS
PUMP: HALE QMAX 1500 GPM
WATER TANK: 1000 U.S. GAL
FOAM CELL: 40 U.S. GAL
BODY MATERIAL: 1/8" ALUMINUM
HOSE BED: 74 CUBIC FEET
GENERATOR: ONAN 8KW
COMPARTMENTS: 215 CUBIC FEET



SMEAL
A SPARTAN MOTORS BRAND
610 W 4TH ST
SNYDER, NE
PHONE: (402) 568-2224
WWW.SMEAL.COM

HAMDEN FIRE DEPARTMENT HAMDEN, CT			
MODEL: SIDE MOUNT PUMPER			
DEALERSHIP: NEFEA			
SCALE: 1/2" = 1'	DRAWN BY: S. STUMPE	DATE: 10/9/17	
SIZE: 24" X 36"		DRAWING NO: S4843	REV: 01
SHEET: 1 OF 1			