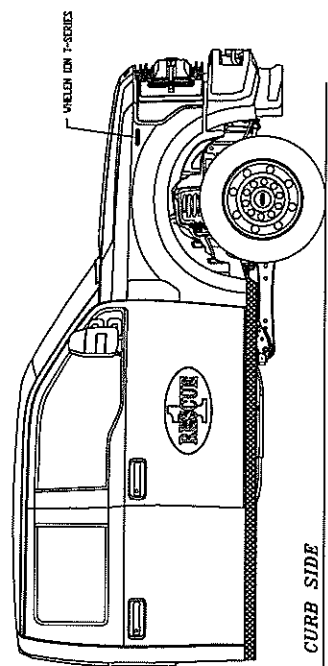
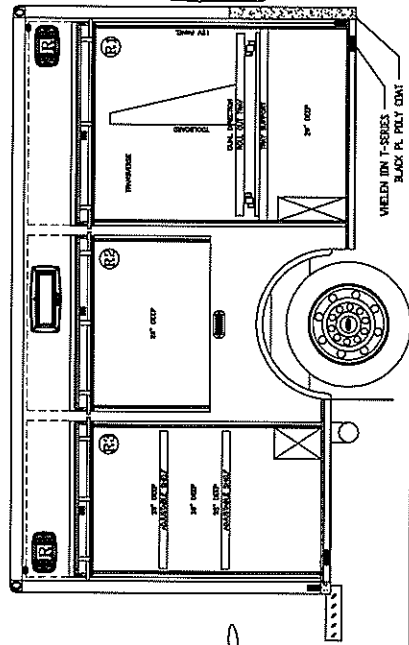
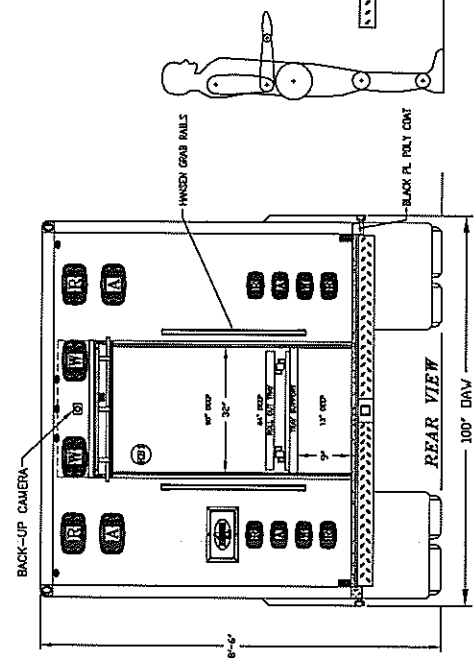
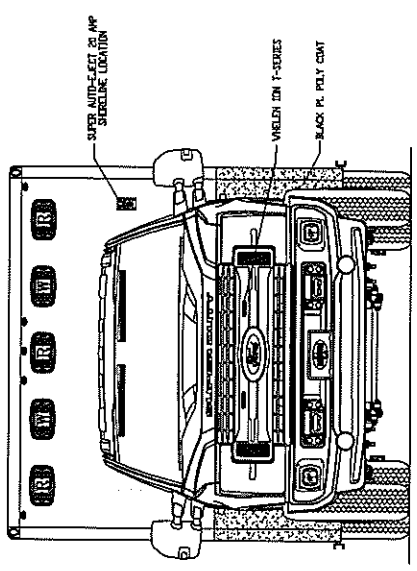
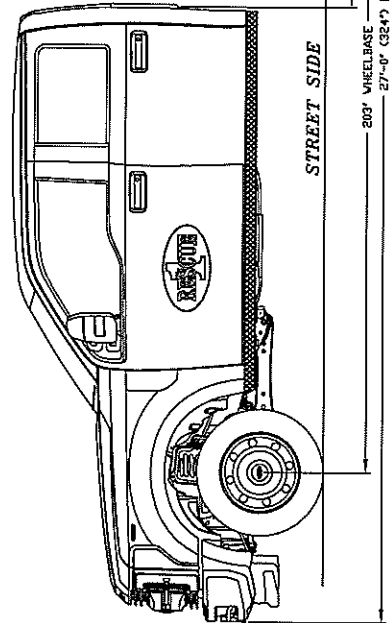
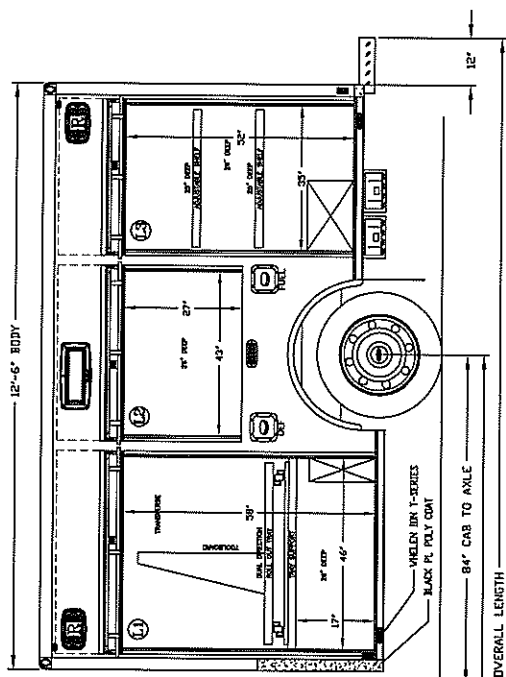


SUPER AUTO-EJECT 20 AMP
SHORELINE LOCATION

WHELEN ION T-SERIES

BLACK PL POLY COAT



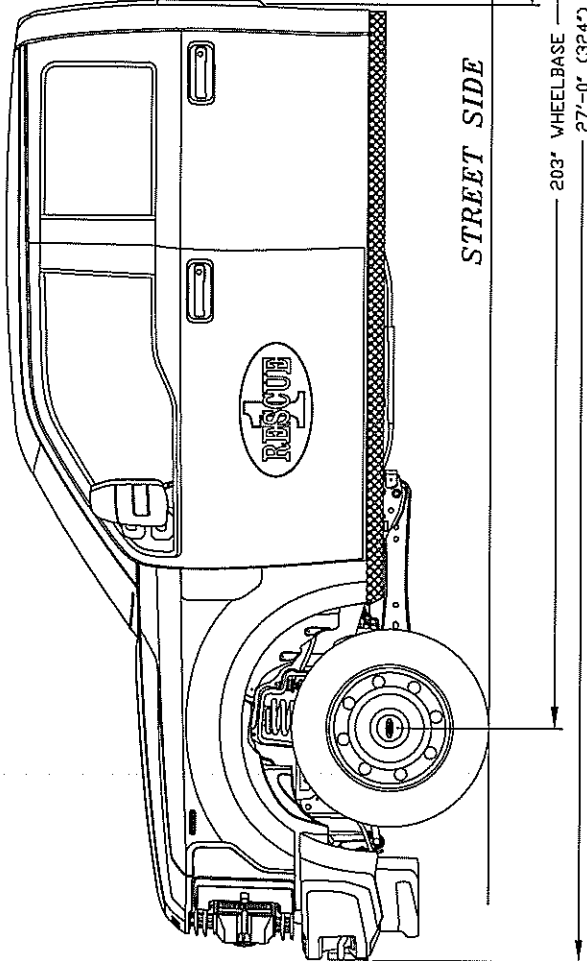
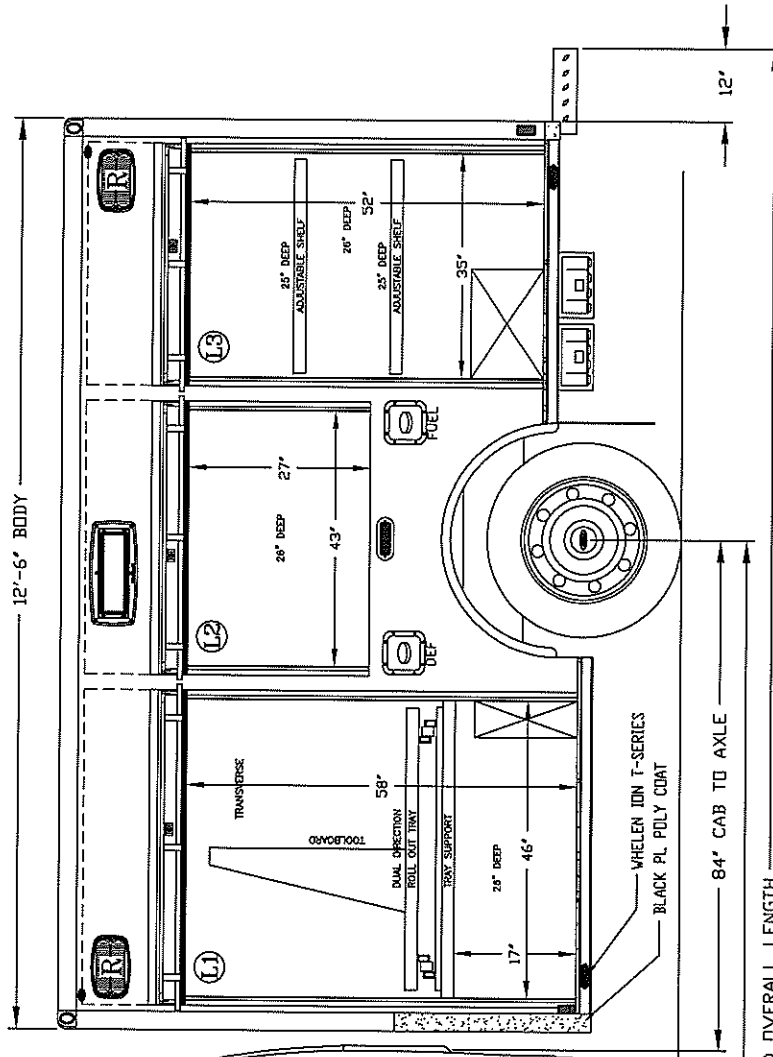
LIGHT RESCUE VEHICLE
 CUSTOM DESIGNED FOR
RESCUE 1 STOCK LD WHITE
 BY RESCUE 1

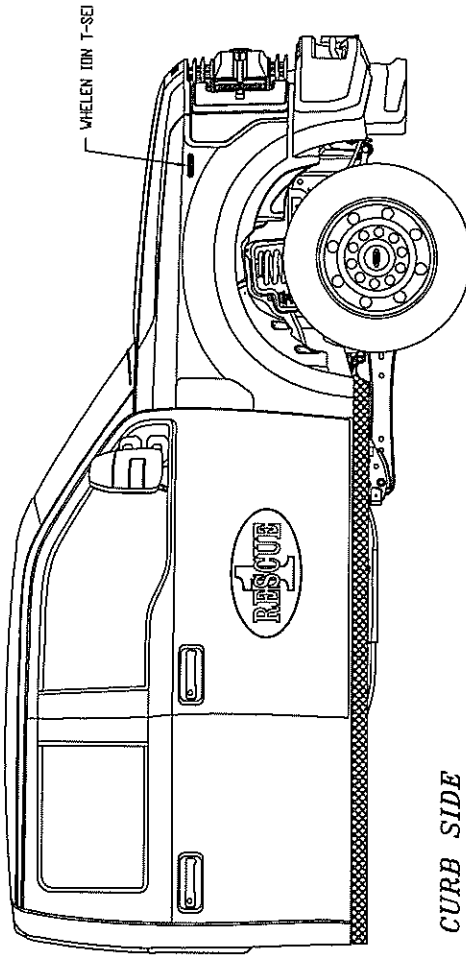
DUE TO CHASSIS COMPONENTS, SUCH AS SPRING SHACKLES & EXHAUST, COMPARTMENT DIMENSIONS ARE CLEAR OPENING & APPROXIMATE

NOTES:
 1. DIMENSIONS ARE FOR REPRESENTATIONAL PURPOSES ONLY.
 2. ALL DIMENSIONS ARE APPROXIMATE.
 3. WALL THICKNESS IS APPROXIMATE. WALL TO WALL MEASUREMENTS, PASS THROUGH DIMENSIONS WILL BE SMALLER.
 4. OVERALL LENGTH IS APPROXIMATE UNTIL THE CHASSIS IS BUILT AND RECEIVED AT OUR FACTORY.

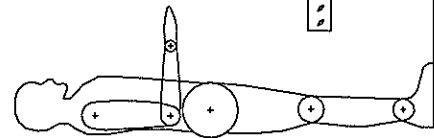
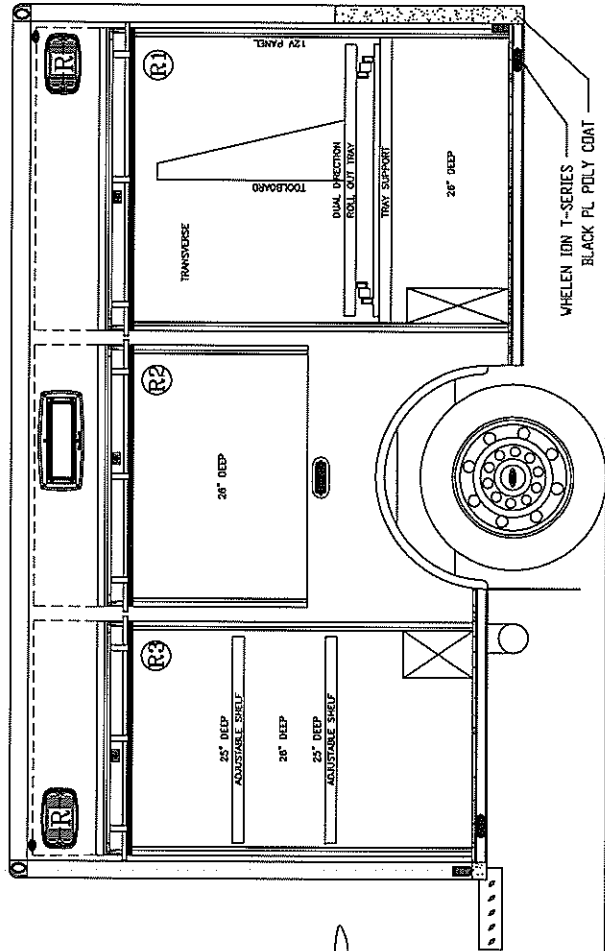
REV.	DATE	DESCRIPTION
1	08/17/25	INITIAL DESIGN
2	08/27/25	REVISED
3	09/02/25	REVISED
4	09/02/25	REVISED
5	09/02/25	REVISED
6	09/02/25	REVISED
7	09/02/25	REVISED
8	09/02/25	REVISED
9	09/02/25	REVISED
10	09/02/25	REVISED

TABLE	DATE	DESCRIPTION
1	08/17/25	INITIAL DESIGN
2	08/27/25	REVISED
3	09/02/25	REVISED
4	09/02/25	REVISED
5	09/02/25	REVISED
6	09/02/25	REVISED
7	09/02/25	REVISED
8	09/02/25	REVISED
9	09/02/25	REVISED
10	09/02/25	REVISED





CURB SIDE



LS

.DAT

BACK-UP CAMERA

