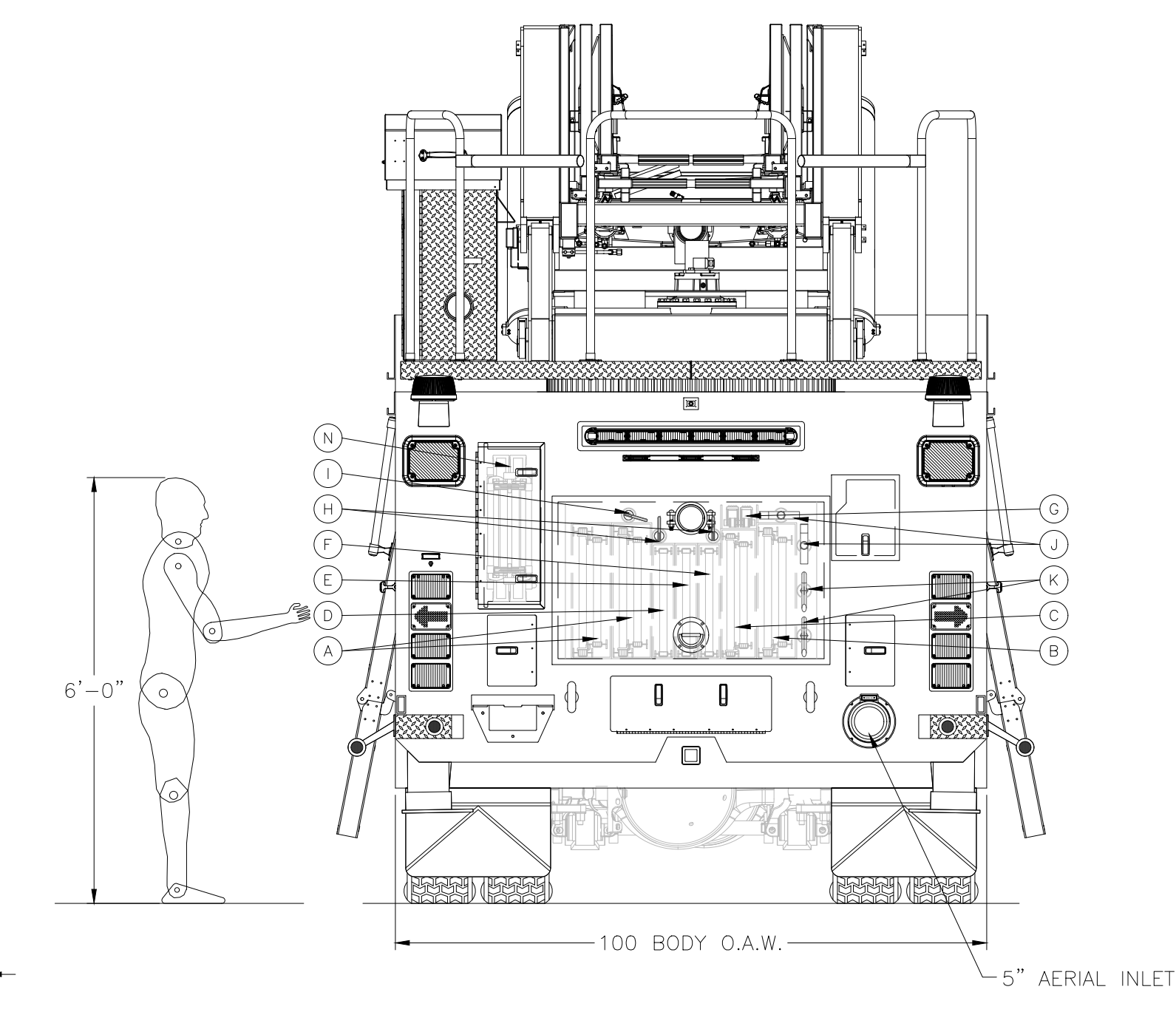
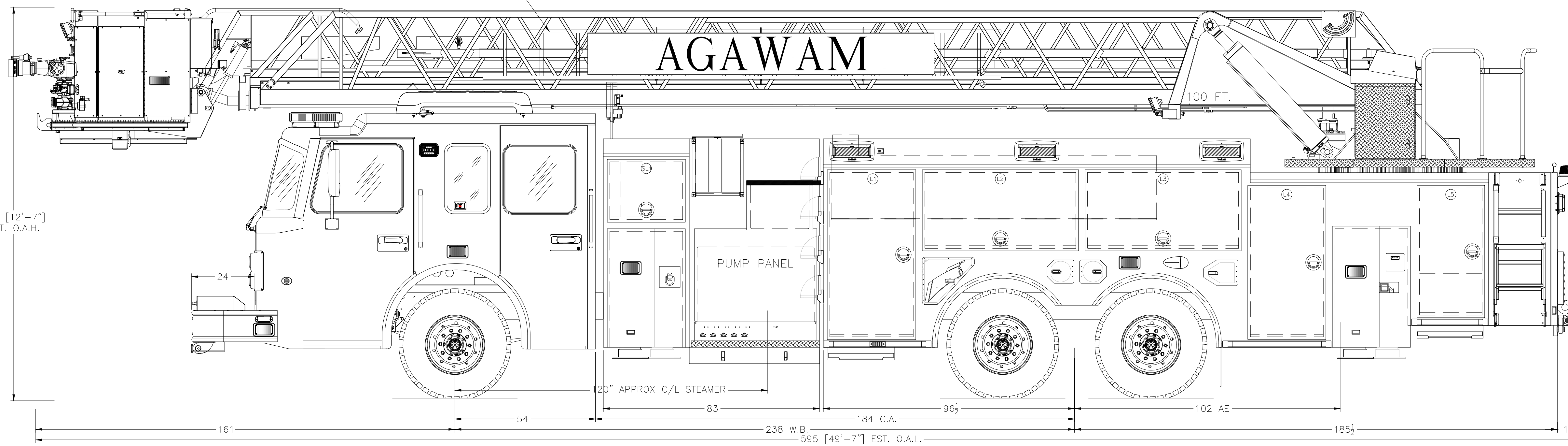
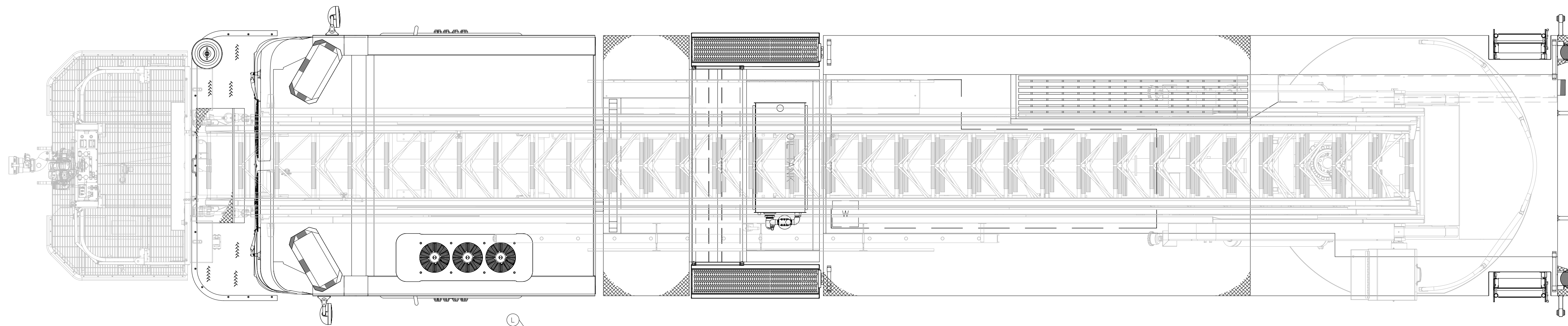


COMPARTMENT DIMENSIONS					
COMPT.	DOOR OPENING	INTERIOR	DIVIDE HEIGHT	UPPER DEPTH	LOWER
L1	32"W x 62"H	34.5"W x 75"H	-	22"	22"
L2	58"W x 28"H	62.5"W x 41"H	-	22"	22"
L3	58"W x 28"H	67"W x 41"H	-	22"	22"
L4	28"W x 56"H	32.5"W x 62"H	-	22"	22"
L5	24"W x 47"H	31"W x 53.5"H	15"	13"	22"
R1	32"W x 62"H	34.5"W x 75"H	30"	13"	22"
R2	58"W x 28"H	62.5"W x 41"H	-	13"	13"
R3	58"W x 28"H	67"W x 41"H	-	13"	13"
R4	28"W x 56"H	32.5"W x 62"H	24"	13"	22"
R5	24"W x 47"H	31"W x 53.5"H	15"	13"	22"
SL1	28"W x 21"H	30.5"W x 30"H	-	TRANS	TRANS
SR1	28"W x 21"H	30.5"W x 30"H	-	TRANS	TRANS

GROUND LADDERS & PIKE POLES			
ITEM	DESCRIPTION	MODEL #	QTY
A	35' 2 SEC. EXTENSION	PEL-35	2
B	28' 2 SEC. EXTENSION	PEL-28	1
C	24' 2 SEC. EXTENSION	PEL-24	1
D	20' ROOF	PRL-20	1
E	16' ROOF	PRL-16	1
F	8' WALL	PWL-8	1
G	10' FOLDING-ATTIC	FL-10	1
H	8' PIKE POLE	NYFG-8	2
I	12' PIKE POLE	NYFG-12	1
J	6' NY ROOF HOOK	RH-6	2
K	6' BOSTON RAKE	BRST-6	2
BASE	16' ROOF	PRL-16	1
FLY	12' PIKE POLE	NYFG-12	1
REAR	17' LITTLE GIANT	15197-303	1



NOTE:
 THIS DRAWING IS THE PROPERTY OF SPARTAN MOTORS USA AND IS TO BE USED ONLY IN REFERENCE TO THE WORK PROPOSED OR CONTRACTED BY SPARTAN MOTORS USA ANY REPRODUCTION IN PART OR IN WHOLE WITHOUT THE WRITTEN PERMISSION OF SPARTAN MOTORS USA IS STRICTLY PROHIBITED.
 DIMENSIONS SHOWN ARE APPROXIMATE AND ARE SUBJECT TO CHANGE AS MAY BE FOUND NECESSARY DURING CONSTRUCTION. THIS DRAWING MUST BE PLOTTED TO THE PAPER SIZE LISTED IN THE TITLE BLOCK FOR THE LISTED SCALE TO BE VALID.
 THIS DRAWING IS FOR REFERENCE PURPOSES ONLY. SOME ITEMS MAY OR MAY NOT APPEAR ON THE DRAWING THAT MAY OR MAY NOT BE INCLUDED IN THE SPECIFICATIONS. THE SPECIFICATIONS SHALL BE THE FINAL AUTHORITY TO DETERMINE WHAT IS SUPPLIED ON THE APPARATUS.

REV.	INT.	DATE	REVISION HISTORY DESCRIPTION
01	CL	5/15/23	ORIGINAL LAYOUT
02	CL	7/6/23	500 WATER, HOSE BED CAPACITY, LAP DOORS, GROUND LADDERS
03	CL	8/30/23	5" RAISED ROOF, HOSEBED CAPACITY, TORQUE BOX CHANGES, SCENE LIGHTS, PUMP HOUSE

PROPOSAL

CHASSIS: SMEAL SIRIUS MFD 5" RAISED ROOF
 ENGINE: CUMMINS X15 565HP WITH ALLISON 4000 EVS
 PUMP: WATEROUS CSUC 2250 RATED AT 1500 GPM
 WATER TANK: 500 GAL
 FOAM CELL: N/A
 BODY MATERIAL: 1/8" ALUMINUM
 HOSE BED: 500' OF 4" / 24 CUBIC FEET
 GENERATOR: N/A
 COMPARTMENTS: 287 CUBIC FEET
 GALVANIZED TORQUE BOX
 ADDITIONAL PENETRATION STABILIZERS



AGAWAM FIRE DEPARTMENT AGAWAM, MA			
MODEL:	100' REAR MOUNT PLATFORM (S53RP-100)		
DEALERSHIP:	NEFEA		
SCALE:	1/2" = 1'	DRAWN BY:	CL
DATE:	8/30/23		
SIZE:	24" X 36"	DRAWING NO.:	23349
SHEET:	1 OF 1	REV.:	03