



EMERGENCY RESPONSE

CHASSIS: SPARTAN METRO STAR MFD FLAT F

ENGINE: CUMMINS L9 450HP

TRANSMISSION: ALLISON 3000 EVS

AXLES: 20,000# FRONT / 27,000# REA

MODEL: STAR PUMPER

WATER/FOAM: 750 / 0 GALLONS

PUMP: WATEROUS CS 1250GPM

FOAM SYSTEM:

GENERATOR: HARRISON 10.0 KW

DOOR FRAMED OPENINGS

COMPARTMENT	DOOR FRAMED OPENING
L1	31.0-W x 65.0-H
L2	62.0-W x 31.0-H
L3	46.5-W x 65.0-H
R1	31.0-W x 65.0-H
R2	62.0-W x 31.0-H
R3	46.5-W x 65.0-H
B1	38.0-W x 41.0-H

SPECIAL NOTES:

THE PUMP PANEL LAYOUT IS REFERENCE ONLY. THE LOCATION OF COMPONENTS WILL CHANGE AS REQUIRED FOR DESIGN AND CUSTOMER INPUT POS THE PRE-CONSTRUCTION MEETING.

CUSTOMER

THIS DRAWING IS A CLOSE APPROXIMATION OF YOUR APPARATUS. IN ALL CASES WHERE THE DRAWING AND WRITTEN SPECIFICATION DIFFER, THE SPECIFICATION SHALL PREVAIL. PLEASE WORK WITH YOUR DEALER TO ASSURE THE WRITTEN SPECIFICATION REPRESENTS WHAT YOU WANT YOUR FINISHED PRODUCT. SPARTAN EMERGENCY RESPONSE BUILDS TO THE WRITTEN SPECIFICATION, NOT THE DRAWING TO ASSURE THAT YOUR NEEDS ARE MET.

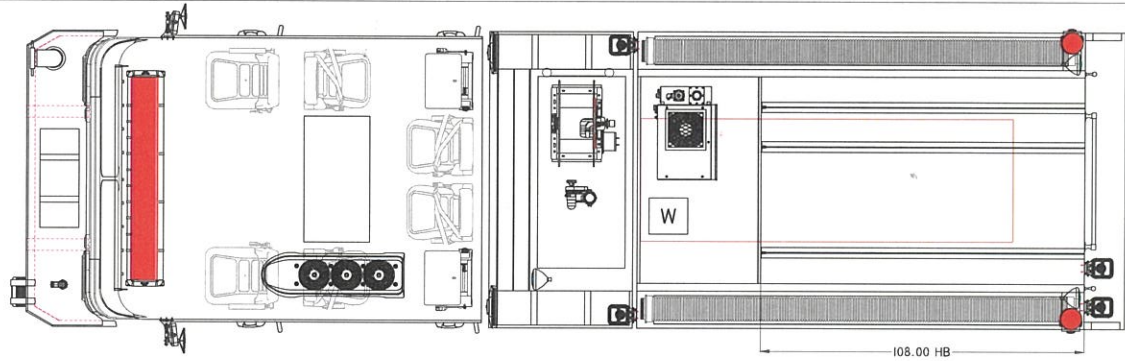
PROPRIETARY AND CONFIDENTIAL
THE INFORMATION CONTAINED IN THIS DRAWING IS THE PROPERTY OF SPARTAN EMERGENCY RESPONSE. ANY REPRODUCTION IN PART OR AS A WHOLE WITHOUT THE WRITTEN PERMISSION OF SPARTAN EMERGENCY RESPONSE IS PROHIBITED. SPARTAN FIRE, LLC. D/B/A SPARTAN EMERGENCY RESPONSE.

REV	DATE	DESCRIPTION	NAI
2	10/24/23	PRECON REVIEW	DD/S
1	10/13/23	FTBUILDER CHANGES	B.I
0	08/21/23	INITIAL PROPOSAL	B.I

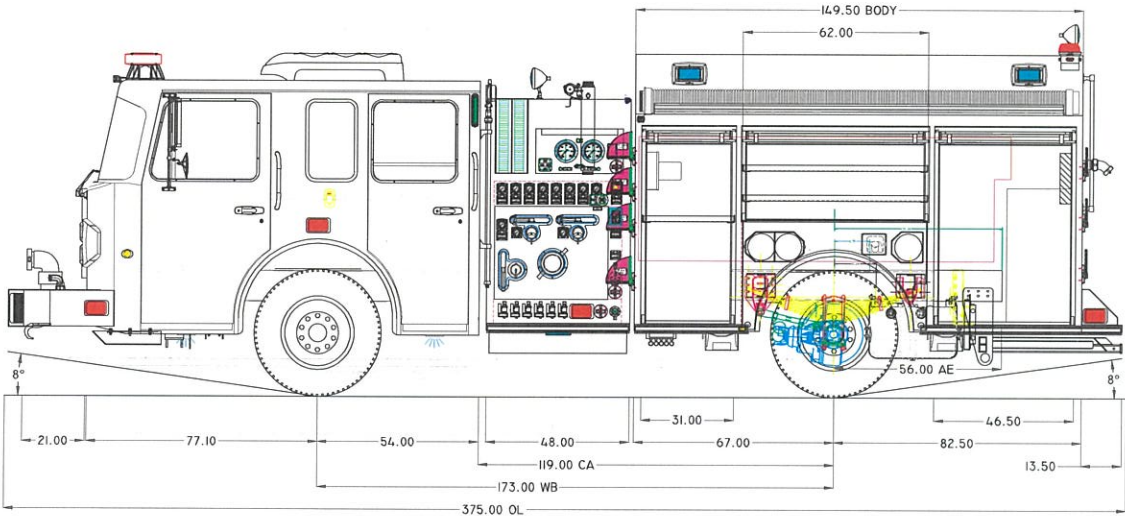
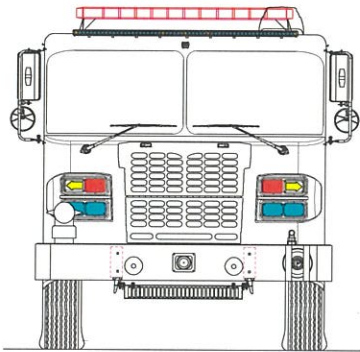
SCALE: NOT TO SCALE

CUSTOMER: **UNION FIRE DISTRIC**
ENGINE 10

TRUCK NUMBER: **223133** DEALER: **NE FIRE EQUIPMENT & APPARA**

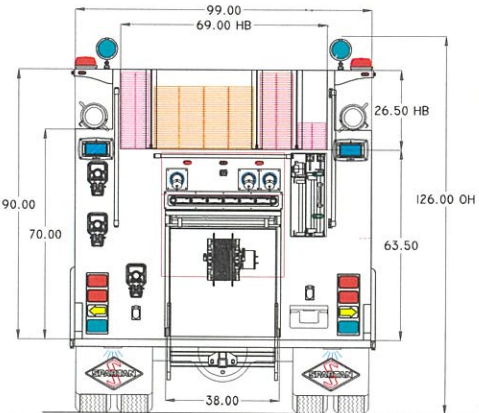


108.00 HB



149.50 BODY
62.00

8° 8°
21.00 77.10 54.00 4.8.00 31.00 67.00 46.50 13.50
119.00 CA
173.00 WB
375.00 OL



99.00
69.00 HB
26.50 HB
126.00 OH
63.50
70.00
38.00

