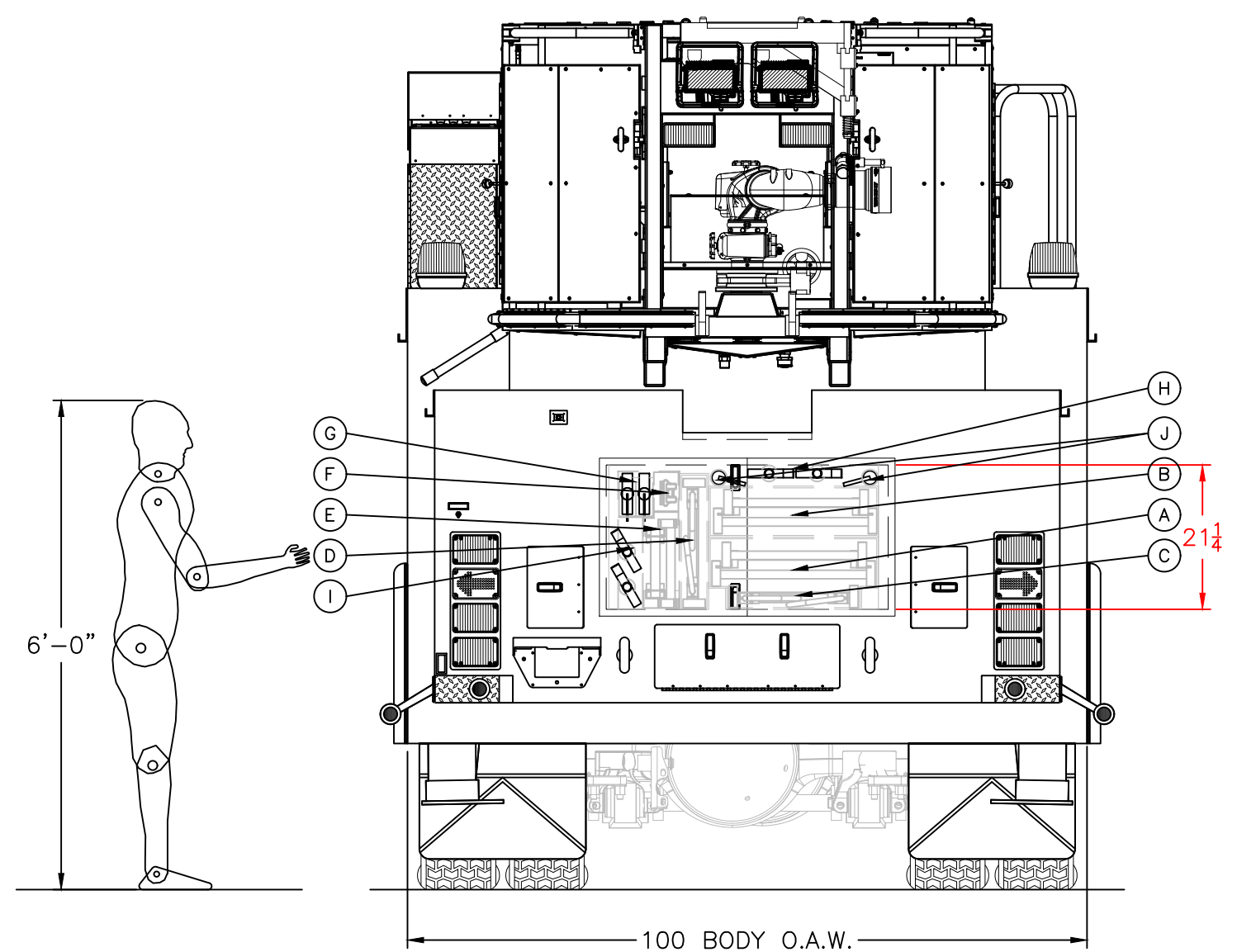
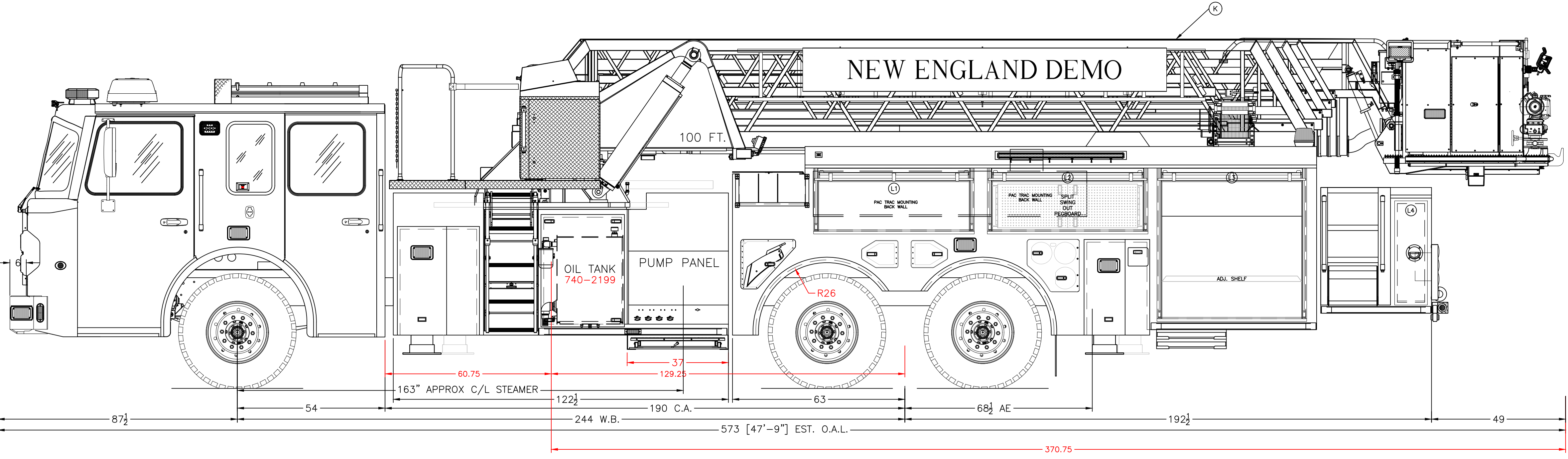


COMPARTMENT DIMENSIONS					
COMPT.	DOOR OPENING	INTERIOR	DIVIDE HEIGHT	UPPER DEPTH	LOWER
L1	55" W x 17" H	61.5" W x 34.5" H	-	14"	14"
L2	55" W x 17" H	63.5" W x 34.5" H	-	14"	14"
L3	51" W x 49" H	62" W x 66.5" H	37"	14"	26"
L4	10" W x 35" H	12.5" W x 45.5" H	-	9"	9"
R1	55" W x 17" H	61.5" W x 34.5" H	-	14"	14"
R2	55" W x 17" H	63.5" W x 34.5" H	-	14"	14"
R3	51" W x 49" H	62" W x 66.5" H	37"	14"	26"
R4	31" W x 32" H	36.5" W x 45.5" H	31"	10"	22"
PR1	23" W x 32" H	32.5" W x 45" H	-	18"	18"

GROUND LADDERS & PIKE POLES				
ITEM	DESCRIPTION	MODEL #	QTY	
A	35' 2 SEC EXTENSION	1200-A	1	
B	28' 2 SEC EXTENSION	1200-A	1	
C	20' ROOF	875-A	1	
D	16' ROOF	875-A	1	
E	14' FRESNO ATTIC	701	1	
F	10' FOLDING ATTIC	585-A	1	
G	4' D-HANDLE PIKE POLE	NHF-4 W/D	2	
H	6' ROOF HOOK	RH6	2	
I	8' ROOF HOOK	RH8	2	
J	12' PIKE POLE	NHF-12	2	
K	14' ROOF	775-A	1	
L	10' NY ROOF HOOK	RH-10	1	
M	CAB ROOF	17' LITTLE GIANT	15187-882	1

- SHOP INSTRUCTIONS
- COMPARTMENT FINISH: GRAY
 - BEZELER
 - SHELVES/TRAYS FINISH: ABRASION



NOTE:
 THIS DRAWING IS THE PROPERTY OF SPARTAN FIRE, LLC AND IS TO BE USED ONLY IN REFERENCE TO THE WORK PROPOSED OR CONTRACTED BY SPARTAN FIRE, LLC ANY REPRODUCTION IN PART OR IN WHOLE WITHOUT THE WRITTEN PERMISSION OF SPARTAN FIRE, LLC IS STRICTLY PROHIBITED.
 DIMENSIONS SHOWN ARE APPROXIMATE AND ARE SUBJECT TO CHANGE AS MAY BE FOUND NECESSARY DURING CONSTRUCTION. THIS DRAWING MUST BE PLOTTED TO THE PAPER SIZE LISTED IN THE TITLE BLOCK FOR THE LISTED SCALE TO BE VALID.
 THIS DRAWING IS FOR REFERENCE PURPOSES ONLY. SOME ITEMS MAY OR MAY NOT APPEAR ON THE DRAWING THAT MAY OR MAY NOT BE INCLUDED IN THE SPECIFICATIONS. THE SPECIFICATIONS SHALL BE THE FINAL AUTHORITY TO DETERMINE WHAT IS SUPPLIED ON THE APPARATUS.

REV	INT	DATE	REVISION HISTORY DESCRIPTION
00	CL	8/4/23	ORDER ENTRY
01	KS	8/9/23	CHANGE ORDER A
02	KS	8/17/23	SPEC REVIEW MEETING
03	KS	9/27/23	MONITOR IN STOWED POSITION

**SHOP PRINT
 PRE-CONSTRUCTION**

CHASSIS: SPARTAN GLADIATOR MFD FLAT ROOF
 ENGINE: CUMMINS X15 605HP WITH ALLISON 4000 EVS
 PUMP: WATEROUS CSUC 2000 GPM
 WATER TANK: 300 U.S. GAL
 FOAM CELL: N/A
 BODY MATERIAL: 1/8" ALUMINUM
 HOSE BED: 500' OF 5" / 33 CUBIC FEET
 GENERATOR: HARRISON 10kW MCR
 COMPARTMENTS: 166 CUBIC FEET
 GALVANIZED TORQUE BOX



NEFEA DEMO NORTH HAVEN, CT			
MODEL:	100' MIDMOUNT PLATFORM (S45MP-100)		
DEALERSHIP:	NEFEA		
SCALE: 1/2" = 1'	DRAWN BY: CL	DATE: 8/4/23	
SIZE: 24" X 36"	DRAWING NO: S5488	REV: 03	
SHEET: 1 OF 1			