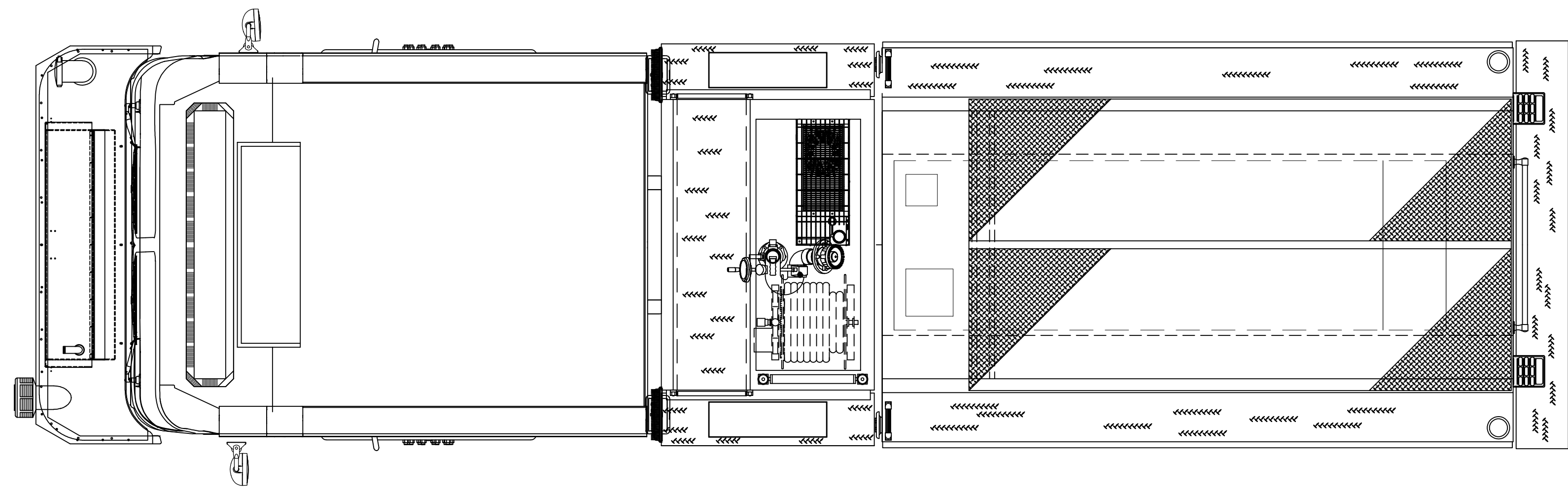
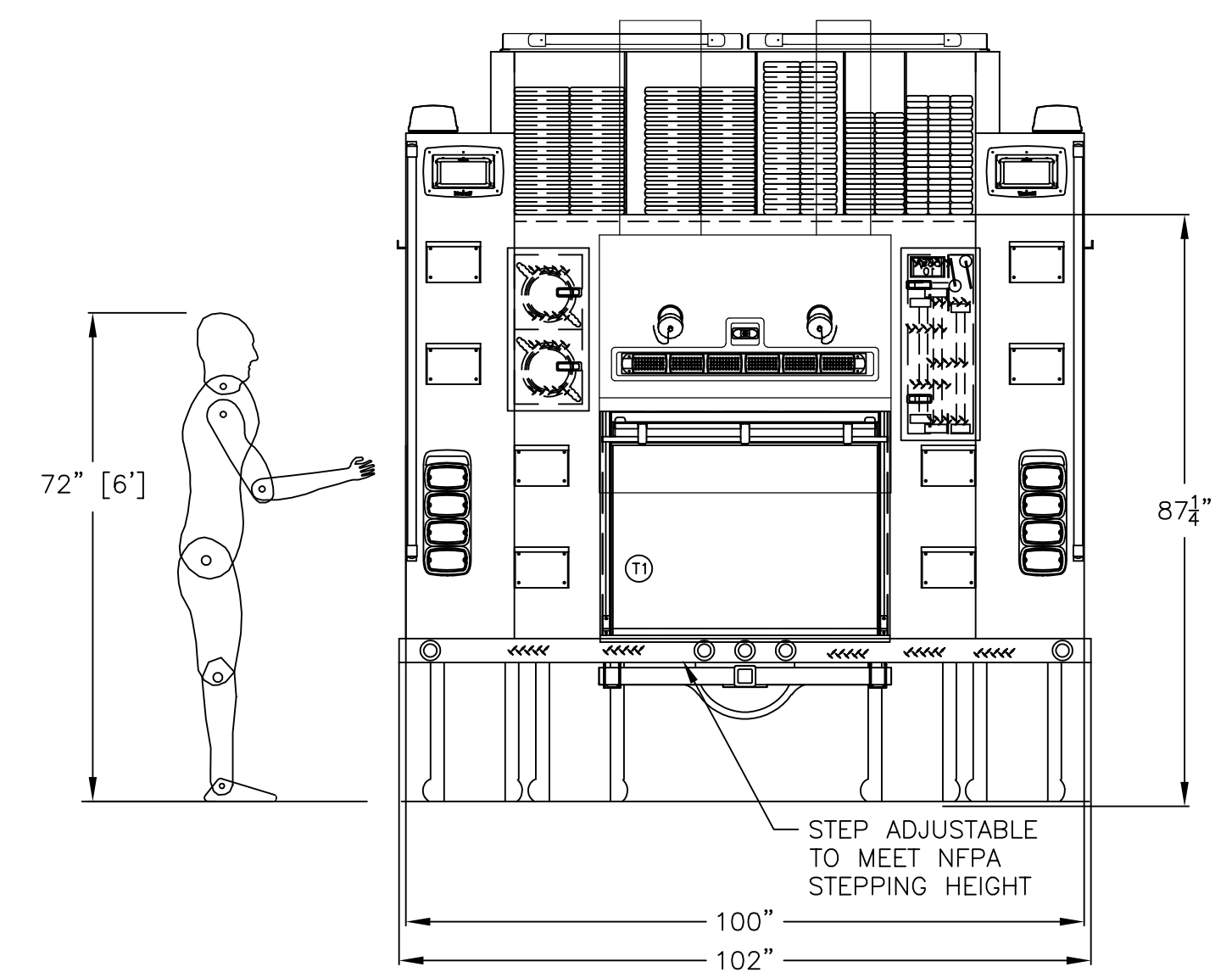
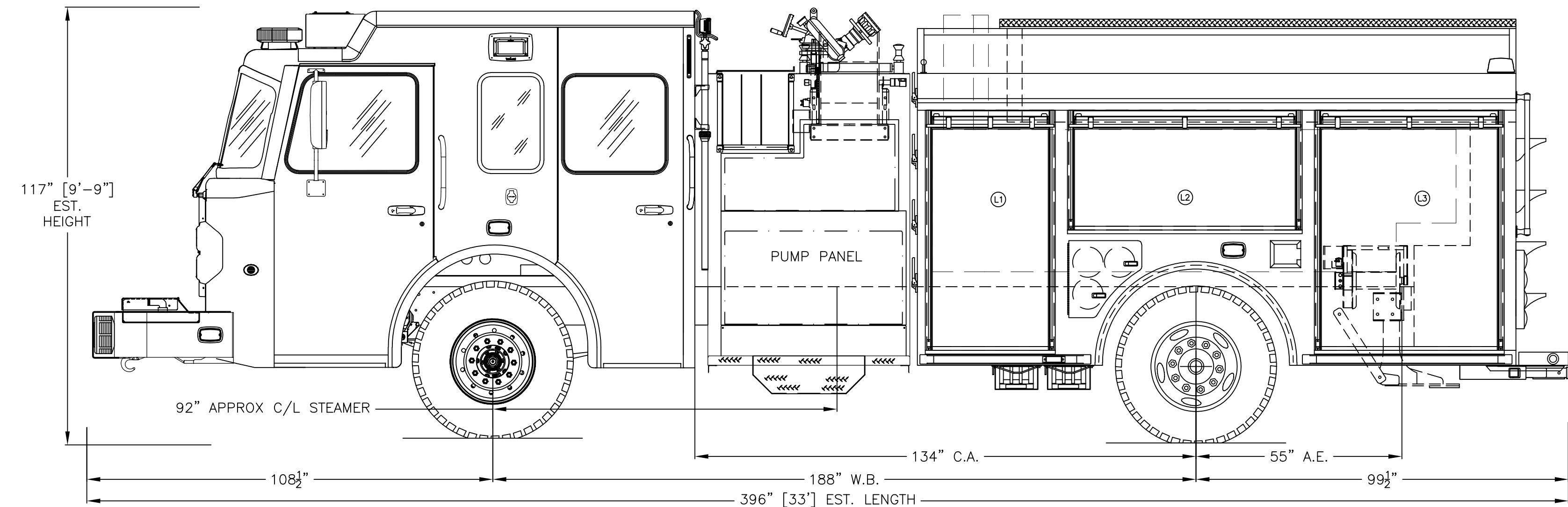


- 12' 6"
- 12' 0"
- 11' 6"
- 11' 0"
- 10' 6"
- 10' 0"
- 9' 6"
- 9' 0"
- 8' 6"
- 8' 0"
- 7' 6"
- 7' 0"
- 6' 6"
- 6' 0"
- 5' 6"
- 5' 0"
- 4' 6"
- 4' 0"
- 3' 6"
- 3' 0"
- 2' 6"
- 2' 0"
- 1' 6"
- 1' 0"
- 6"



COMPT.	DOOR OPENING	INTERIOR	DIVIDE HEIGHT	USPFG DEPTH	LOADS
L1/R1	31"W x 58"H	36"W x 72"H	27"	15"	25"
L2/R2	59"W x 26"H	65"W x 38"H	N/A	15"	N/A
L3/R3	47"W x 58"H	50"W x 72"H	27"	15"	TRANV
T1	39"W x 27"H	46"W x 27"H	N/A	25"	25"

GROUND LADDERS & PIKE POLES			
ITEM	DESCRIPTION	MODEL #	QTY
A	24' 2-SEC EXTENSION	900-A	1
B	14' ROOF	775-A	1
C	10' FOLDING ATTIC	585-A	1
D	PIKE POLE	-	3



NOTE:
 THIS DRAWING IS THE PROPERTY OF SPARTAN FIRE LLC AND IS TO BE USED ONLY IN REFERENCE TO THE WORK PROPOSED OR CONTRACTED BY SPARTAN FIRE LLC ANY REPRODUCTION IN PART OR IN WHOLE WITHOUT THE WRITTEN PERMISSION OF SPARTAN FIRE LLC IS STRICTLY PROHIBITED.
 DIMENSIONS SHOWN ARE APPROXIMATE AND ARE SUBJECT TO CHANGE AS MAY BE FOUND NECESSARY DURING CONSTRUCTION. THIS DRAWING MUST BE PLOTTED TO THE PAPER SIZE LISTED IN THE TITLE BLOCK FOR THE LISTED SCALE TO BE VALID.
 THIS DRAWING IS FOR REFERENCE PURPOSES ONLY. SOME ITEMS MAY OR MAY NOT APPEAR ON THE DRAWING THAT MAY OR MAY NOT BE INCLUDED IN THE SPECIFICATIONS. THE SPECIFICATIONS SHALL BE THE FINAL AUTHORITY TO DETERMINE WHAT IS SUPPLIED ON THE APPARATUS.

REV.	INT.	DATE	REVISION HISTORY DESCRIPTION
01	Brodd	07/23/21	ORIGINAL LAYOUT
02	Brodd	07/29/21	CHANGE GEN, SHORTEN BODY, ADJ BUMPER, SPLIT DEPTH LEFT

PROPOSAL

CHASSIS: SPARTAN METRO STAR MFD 10" RAISED ROOF
 ENGINE: CUMMINS L9 450HP WITH ALLISON 3000 EVS
 PUMP: WATEROUS CSUC20 1500 GPM
 WATER TANK: 750 U.S. GAL
 FOAM CELL: 30 U.S. GAL
 BODY MATERIAL: 1/8" ALUMINUM
 HOSE BED: 124 CUBIC FEET
 GENERATOR: SMART POWER 6KW
 COMPARTMENTS: 147 CUBIC FEET



ALLINGTON FIRE DISTRICT
 WEST HAVEN, CT
 SIDE MOUNT PUMPER

MODEL: NEFEA
 DEALERSHIP: NEFEA
 SCALE: 1/2" = 1'
 SIZE: 24" X 36"
 SHEET: 1 OF 1

DRAWN BY: D.Brodd
 DATE: 07/29/2021
 DRAWING NO: 21898
 REV: 02