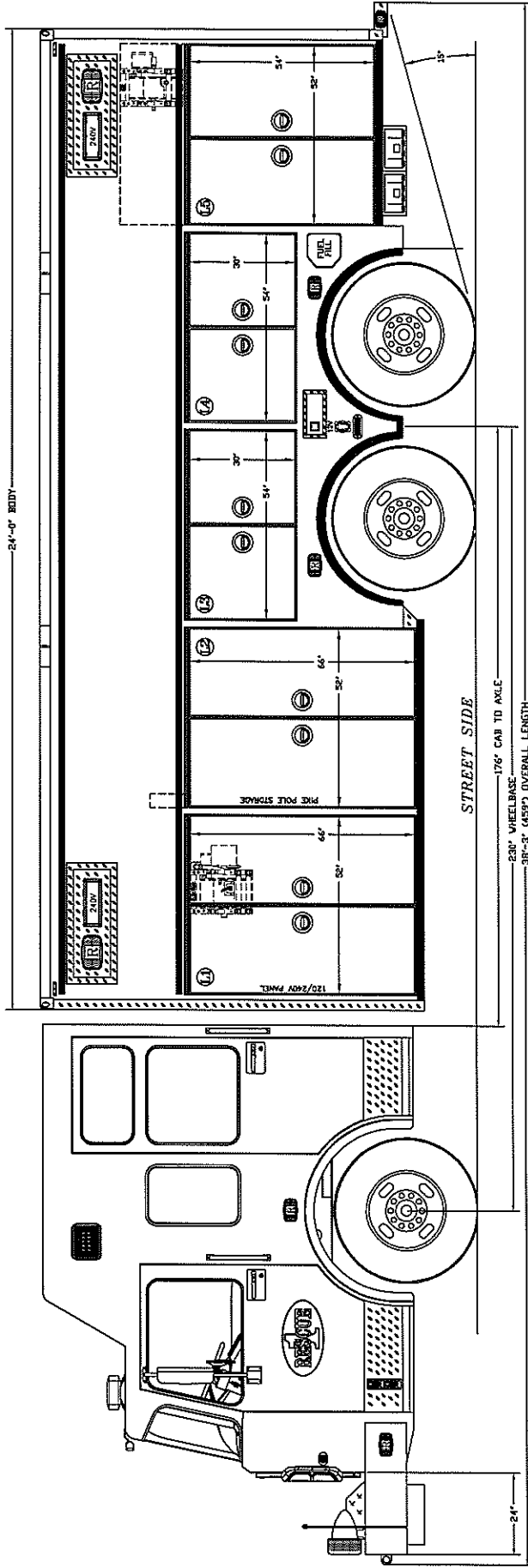


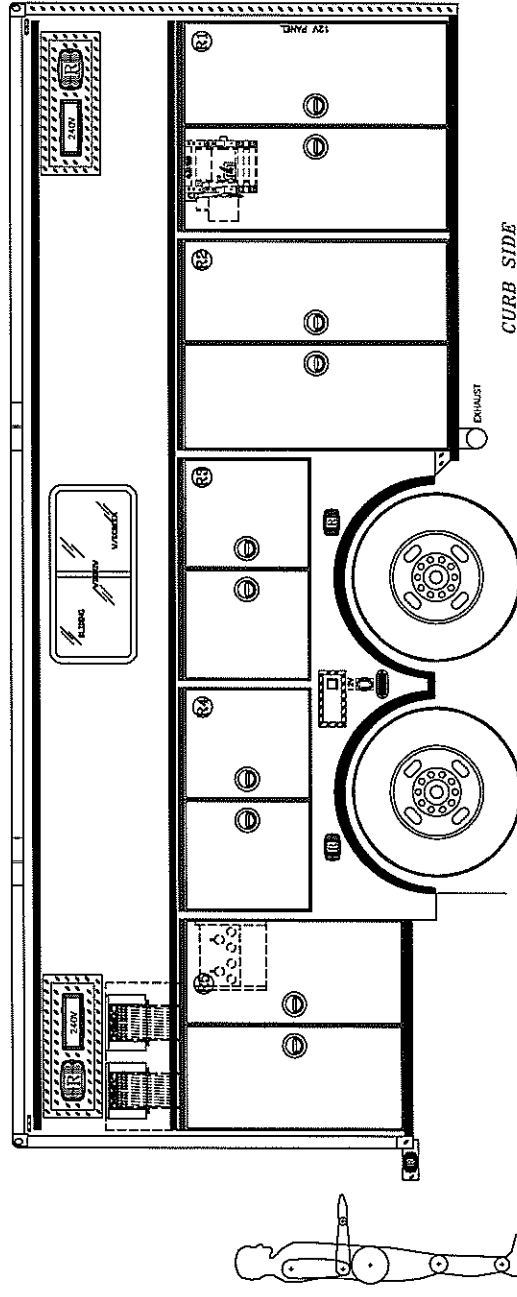
24'-0" BODY



STREET SIDE

230" WHEELBASE  
176" CAB TO AXLE  
38'-3" (455") OVERALL LENGTH

24"



CURB SIDE

- NOTES:
1. DRAWINGS ARE FOR REPRESENTATIONAL PURPOSES ONLY.
  2. ALL DIMENSIONS ARE APPROXIMATE.
  3. ALL DIMENSIONS ARE APPROXIMATE. FIT WILL VARY TO WALL.
  4. MEASUREMENTS THROUGH OPENING WILL BE SMALLER.
  5. ALL DIMENSIONS FOR OVERALL HEIGHT AND OVERALL LENGTH ARE TO THE TOP OF THE CAB.
  6. ALL DIMENSIONS FOR OVERALL HEIGHT AND OVERALL LENGTH ARE TO THE TOP OF THE CAB.
  7. ALL DIMENSIONS FOR OVERALL HEIGHT AND OVERALL LENGTH ARE TO THE TOP OF THE CAB.
  8. ALL DIMENSIONS FOR OVERALL HEIGHT AND OVERALL LENGTH ARE TO THE TOP OF THE CAB.
  9. ALL DIMENSIONS FOR OVERALL HEIGHT AND OVERALL LENGTH ARE TO THE TOP OF THE CAB.
  10. ALL DIMENSIONS FOR OVERALL HEIGHT AND OVERALL LENGTH ARE TO THE TOP OF THE CAB.

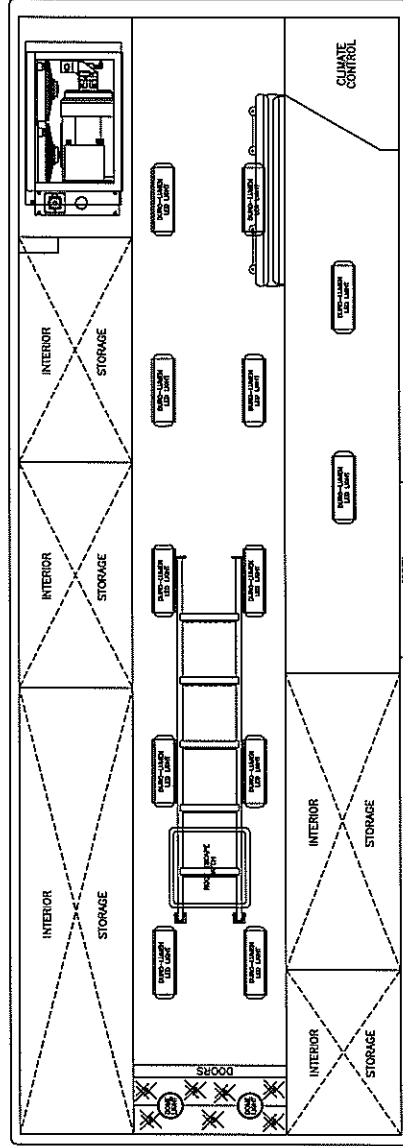
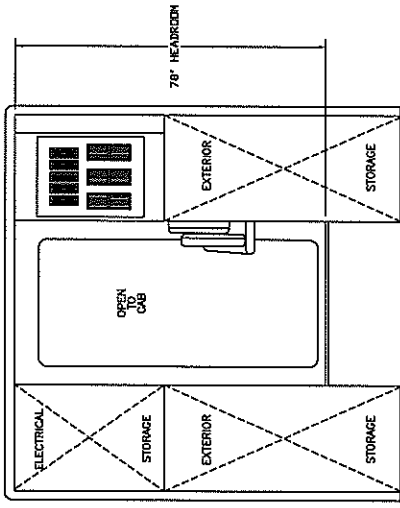
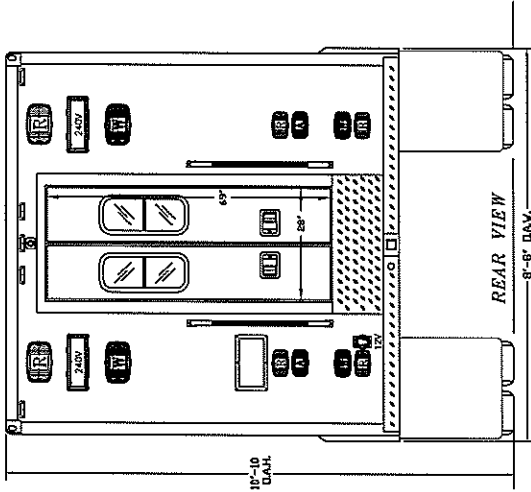
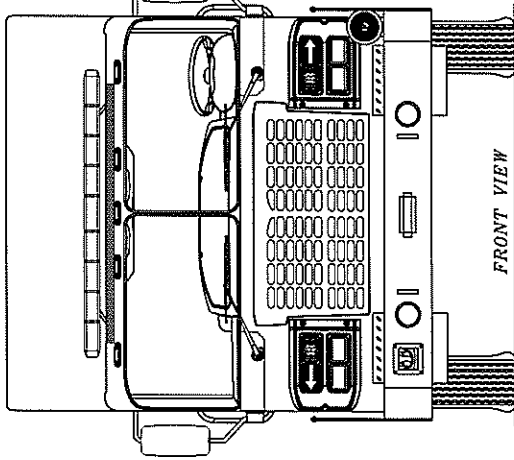
PRELIMINARY

**SPECIAL HAZARDS VEHICLE**  
 CUSTOM DESIGNED FOR  
**PROVIDENCE**  
 BY RESCUE 1



REV	DATE	BY	CHKD	DESCRIPTION
D	0506	10-15-19	BAK	-
C	0504	7-15-19	BAK	-
B	0503	7-5-19	BAK	-
A	0502	5-11-19	BAK	-
REV	0501	5-11-19	BAK	-

FILE	SPECIAL HAZARDS VEHICLE
DATE	PROVIDENCE
DESIGNED BY	PROVIDENCE
SCALE	3/4" = 1'-0"
SHEET	1 OF 3
REV	1
DATE	0501
BY	BAK
CHKD	BAK
DESCRIPTION	-



- NOTES:
1. DRAWINGS ARE FOR REPRESENTATIONAL PURPOSES ONLY.
  2. ALL DIMENSIONS ARE APPROXIMATE.
  3. ALL DIMENSIONS TO WALL UNLESS NOTED OTHERWISE.
  4. ALL DIMENSIONS FOR OVERALL HEIGHT AND OVERALL LENGTH ARE APPROXIMATE UNTIL THE CHASSIS IS BUILT AND RECEIVED AT OUR FACTORY.

REV	DATE	BY	DESCRIPTION
D	0005	10-15-19	FOR
C	0004	7-18-19	FOR
B	0003	7-9-19	FOR
A	0002	5-11-19	FOR
REV	0001	05-11-19	FOR

PRELIMINARY

REVISIONS

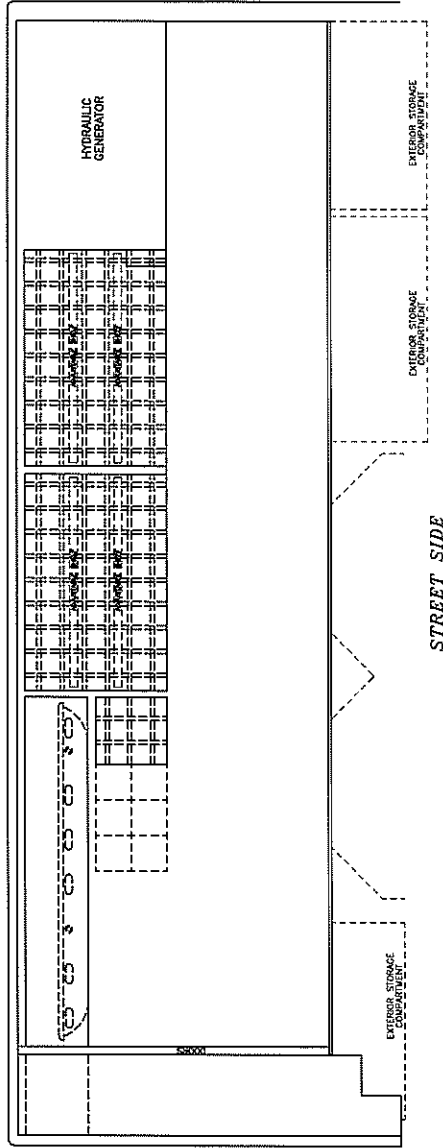
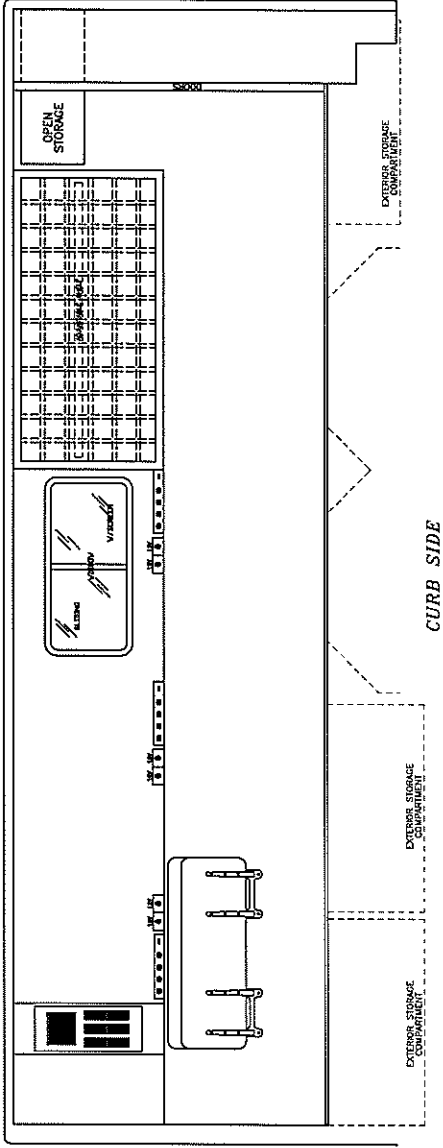
DATE

BY

DESCRIPTION

**SPECIAL HAZARDS VEHICLE**  
 CUSTOM DESIGNED FOR  
**PROVIDENCE**  
 BY RESCUE 1

ITEM	QUANTITY	DESCRIPTION
1	1	SPECIAL HAZARDS VEHICLE
2	1	CHASSIS
3	1	INTERIOR
4	1	EXTERIOR
5	1	WHEELS
6	1	DOORS
7	1	CLIMATE CONTROL
8	1	STORAGE
9	1	ELECTRICAL
10	1	SEATING
11	1	STEERING
12	1	DASHBOARD
13	1	WINDSHIELD
14	1	REAR WINDOW
15	1	REAR BUMPERS
16	1	REAR LIGHTS
17	1	REAR WIPERS
18	1	REAR WASHERS
19	1	REAR MIRRORS
20	1	REAR SPEAKERS
21	1	REAR AIR
22	1	REAR DEFROSTERS
23	1	REAR WASHERS
24	1	REAR WIPERS
25	1	REAR MIRRORS
26	1	REAR SPEAKERS
27	1	REAR AIR
28	1	REAR DEFROSTERS
29	1	REAR WASHERS
30	1	REAR WIPERS
31	1	REAR MIRRORS
32	1	REAR SPEAKERS
33	1	REAR AIR
34	1	REAR DEFROSTERS
35	1	REAR WASHERS
36	1	REAR WIPERS
37	1	REAR MIRRORS
38	1	REAR SPEAKERS
39	1	REAR AIR
40	1	REAR DEFROSTERS
41	1	REAR WASHERS
42	1	REAR WIPERS
43	1	REAR MIRRORS
44	1	REAR SPEAKERS
45	1	REAR AIR
46	1	REAR DEFROSTERS
47	1	REAR WASHERS
48	1	REAR WIPERS
49	1	REAR MIRRORS
50	1	REAR SPEAKERS
51	1	REAR AIR
52	1	REAR DEFROSTERS
53	1	REAR WASHERS
54	1	REAR WIPERS
55	1	REAR MIRRORS
56	1	REAR SPEAKERS
57	1	REAR AIR
58	1	REAR DEFROSTERS
59	1	REAR WASHERS
60	1	REAR WIPERS
61	1	REAR MIRRORS
62	1	REAR SPEAKERS
63	1	REAR AIR
64	1	REAR DEFROSTERS
65	1	REAR WASHERS
66	1	REAR WIPERS
67	1	REAR MIRRORS
68	1	REAR SPEAKERS
69	1	REAR AIR
70	1	REAR DEFROSTERS
71	1	REAR WASHERS
72	1	REAR WIPERS
73	1	REAR MIRRORS
74	1	REAR SPEAKERS
75	1	REAR AIR
76	1	REAR DEFROSTERS
77	1	REAR WASHERS
78	1	REAR WIPERS
79	1	REAR MIRRORS
80	1	REAR SPEAKERS
81	1	REAR AIR
82	1	REAR DEFROSTERS
83	1	REAR WASHERS
84	1	REAR WIPERS
85	1	REAR MIRRORS
86	1	REAR SPEAKERS
87	1	REAR AIR
88	1	REAR DEFROSTERS
89	1	REAR WASHERS
90	1	REAR WIPERS
91	1	REAR MIRRORS
92	1	REAR SPEAKERS
93	1	REAR AIR
94	1	REAR DEFROSTERS
95	1	REAR WASHERS
96	1	REAR WIPERS
97	1	REAR MIRRORS
98	1	REAR SPEAKERS
99	1	REAR AIR
100	1	REAR DEFROSTERS



- NOTES:
1. DRAWINGS ARE FOR REPRESENTATIONAL PURPOSES ONLY.
  2. ALL DIMENSIONS ARE APPROXIMATE.
  3. MEASUREMENTS FROM CURB TO WALL TO WALL.
  4. ALL DIMENSIONS FOR OVERALL HEIGHT AND OVERALL LENGTH AT CURB FACTORY. UNTIL THE CHASSIS IS BUILT AND RECEIVED AT CURB FACTORY.

PRELIMINARY

SPECIAL HAZARDS VEHICLE  
 CUSTOM DESIGNED FOR  
 PROVIDENCE  
 BY RESCUE 1

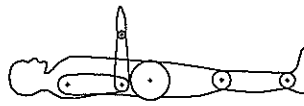
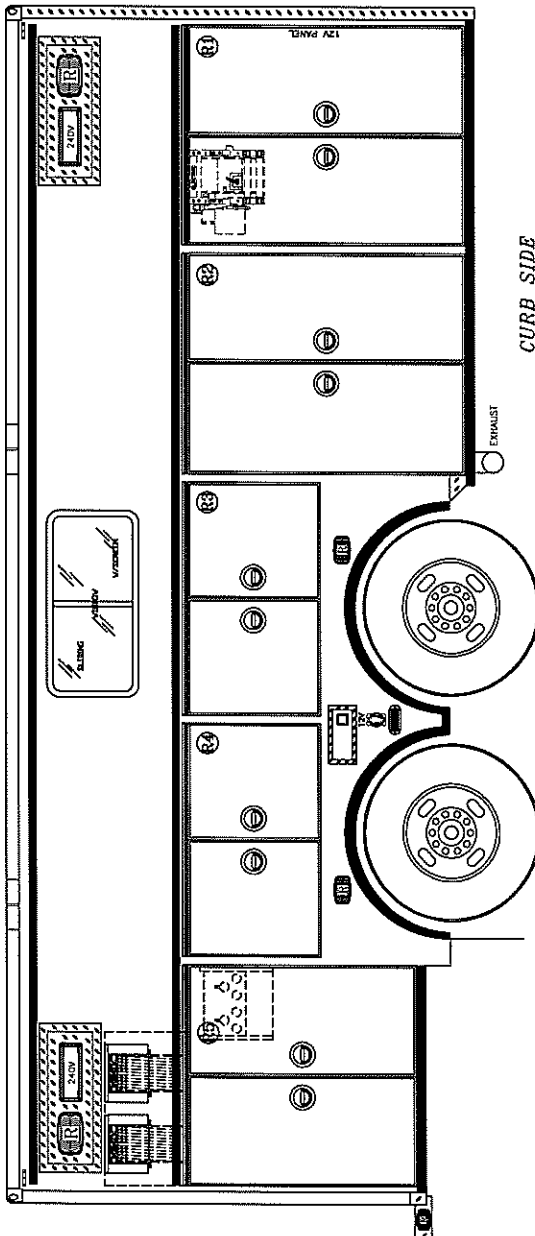
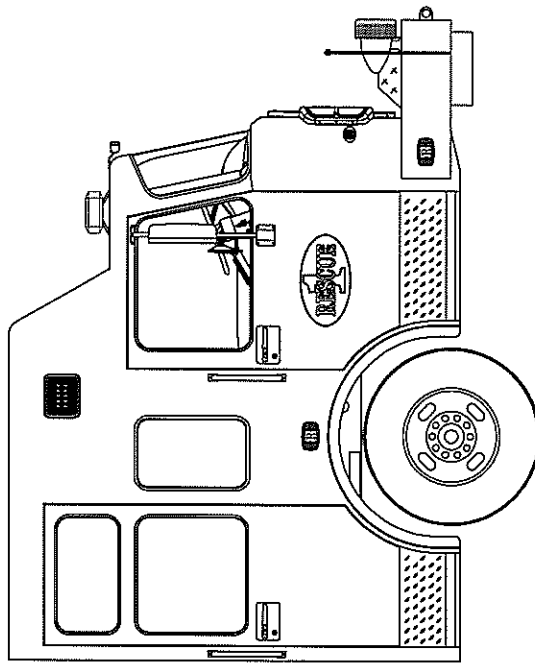
REV	DATE	BY	APP
D	10-15-19	BAR	
C	7-15-19	DOOR	
B	7-5-19	DOOR	
A	6-11-19	DOOR	
REV	DATE	BY	APP

**PROVIDENCE**

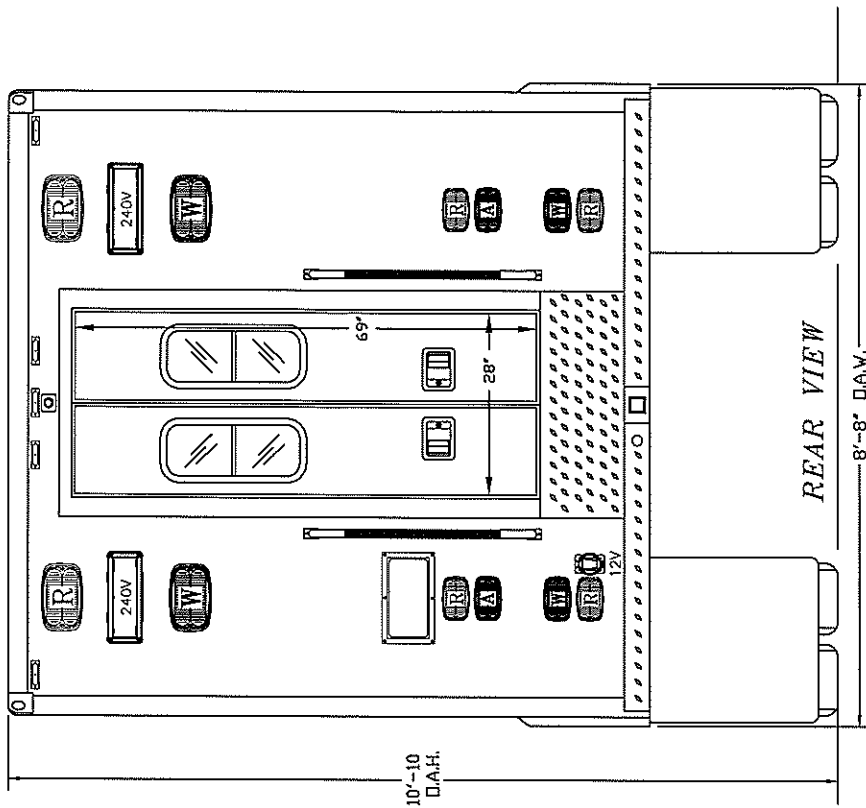
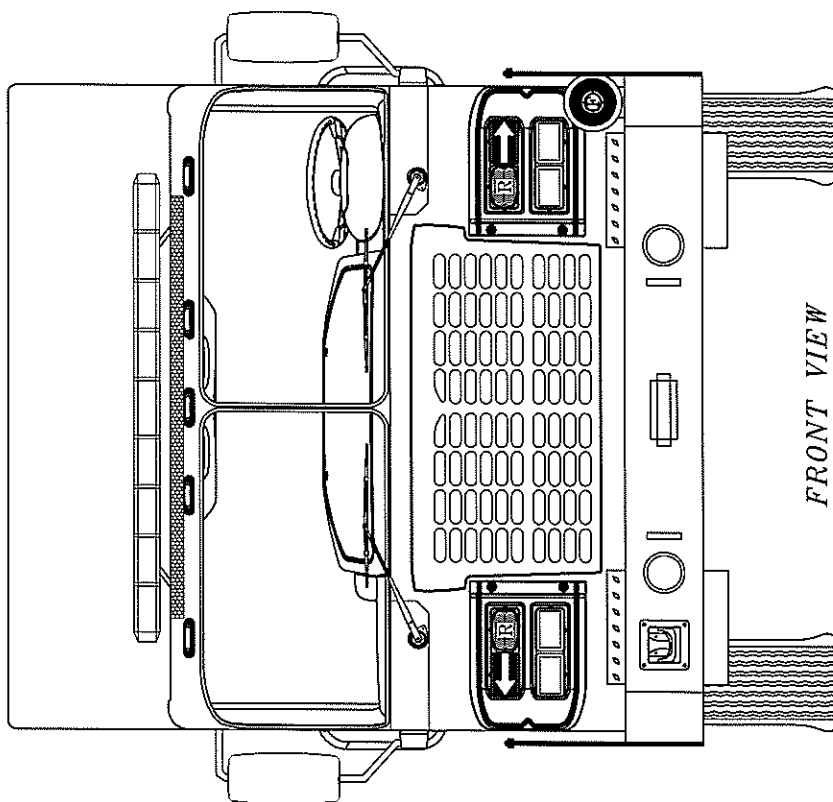
NOTES:  
 The drawing and all dimensions are for informational purposes only. The actual dimensions of the vehicle may vary from the drawing due to manufacturing tolerances and other factors. The drawing is not to be used for construction or other purposes without the approval of the manufacturer.

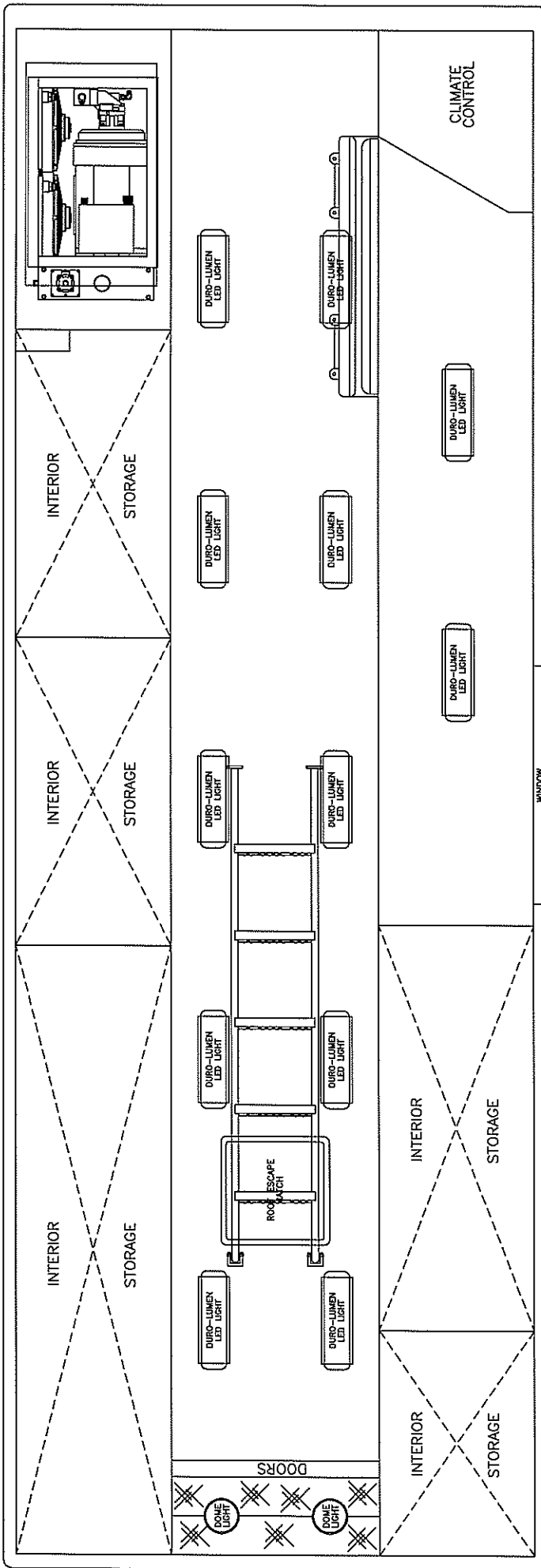
TITLE	SPECIAL HAZARDS VEHICLE
CLASSIFICATION	PROVIDENCE
DRAWN BY	BAR
CHECKED BY	DOOR
DATE	10-15-19
SCALE	3/4" = 1'-0"
SHEET	3 OF 3

PROVIDENCE

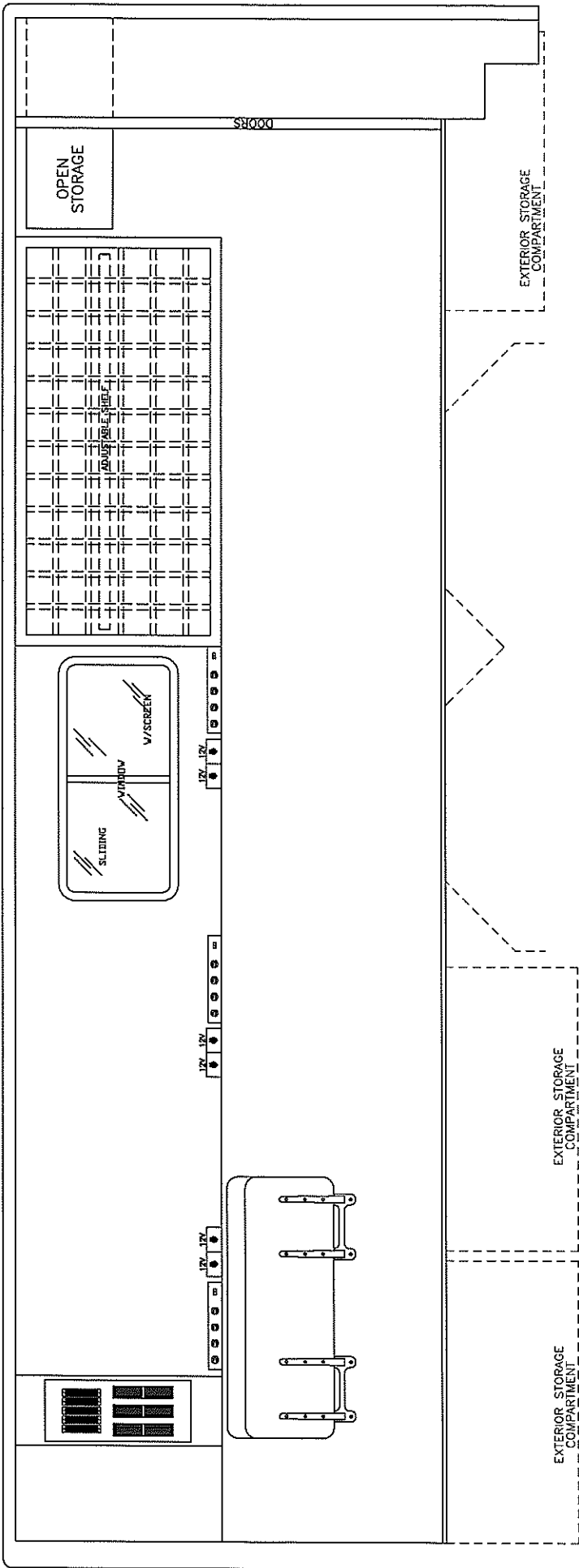






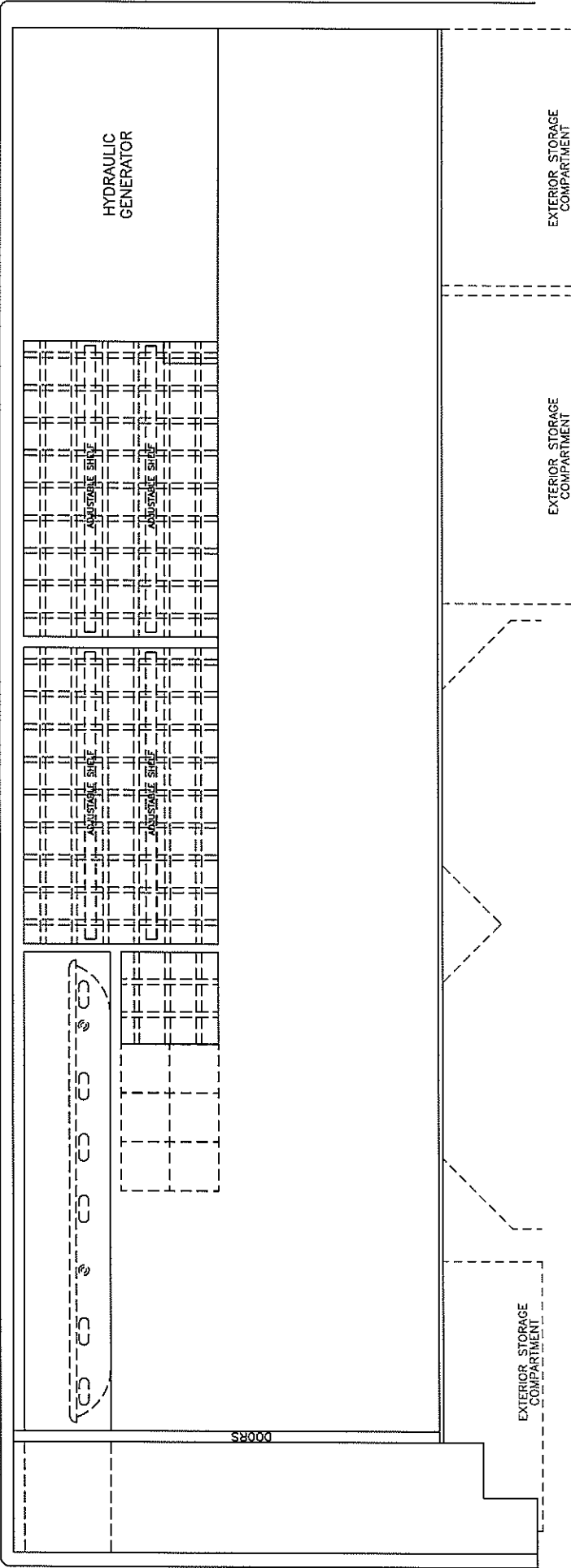


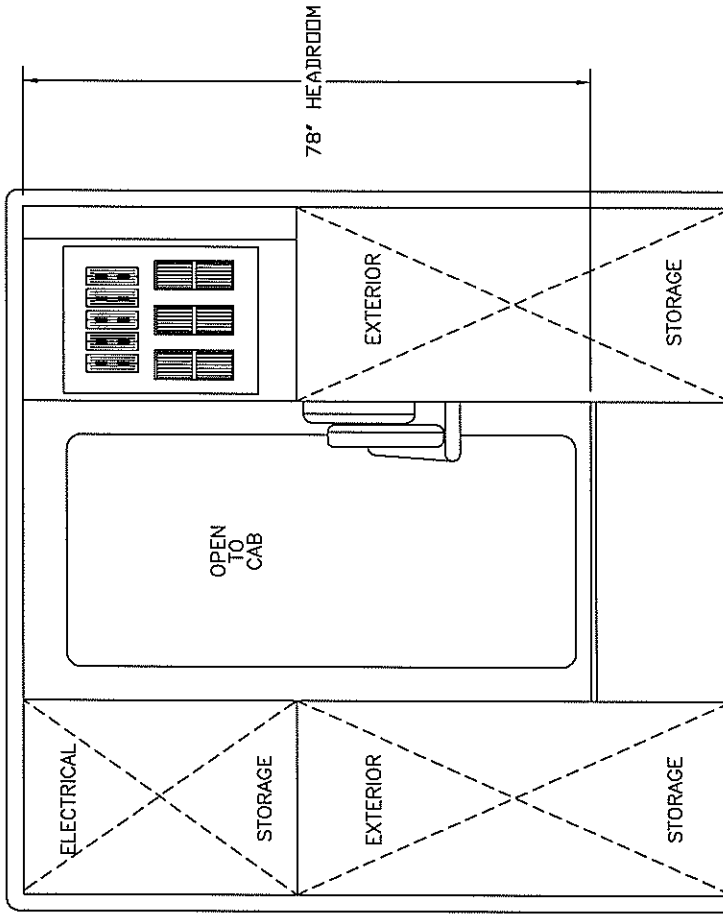
FLOOR PLAN VIEW



*CURB SIDE*







*INTERIOR FRONT WALL*