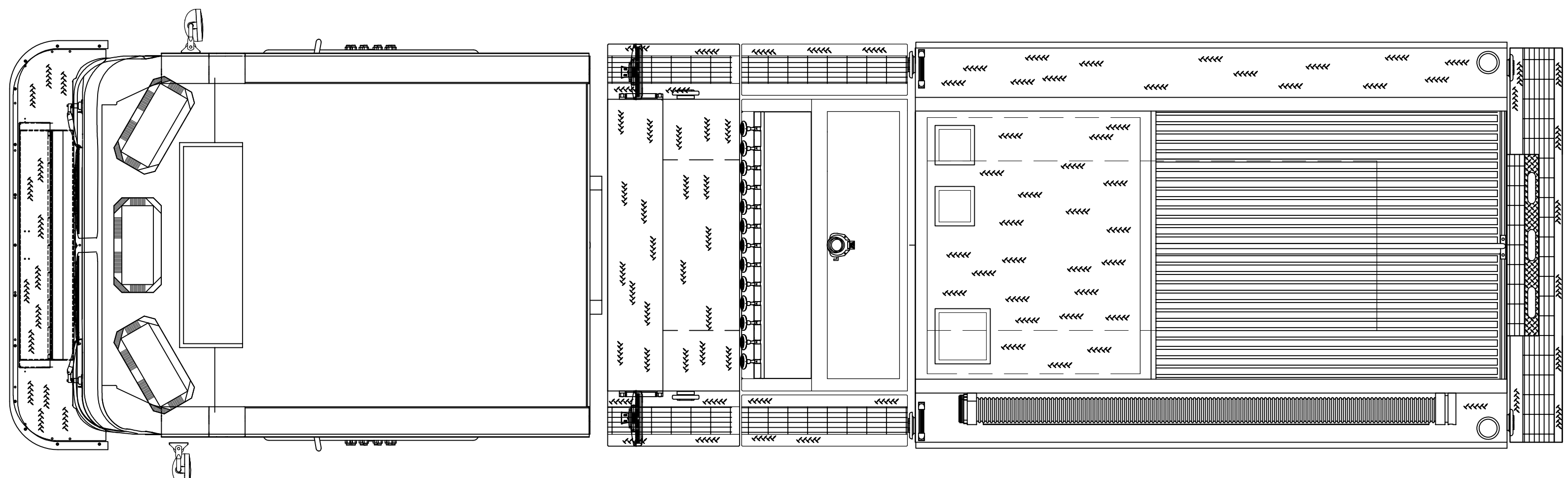
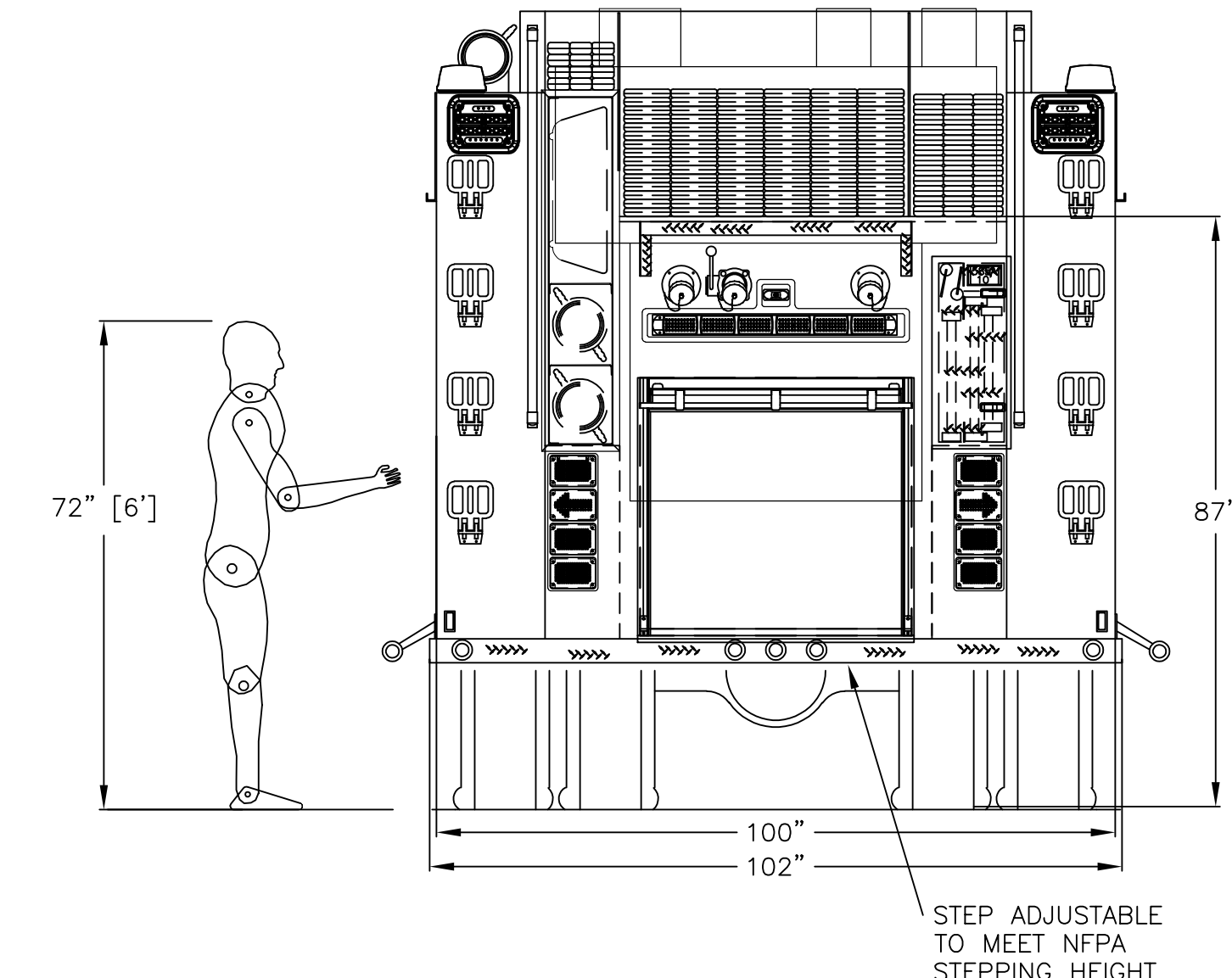
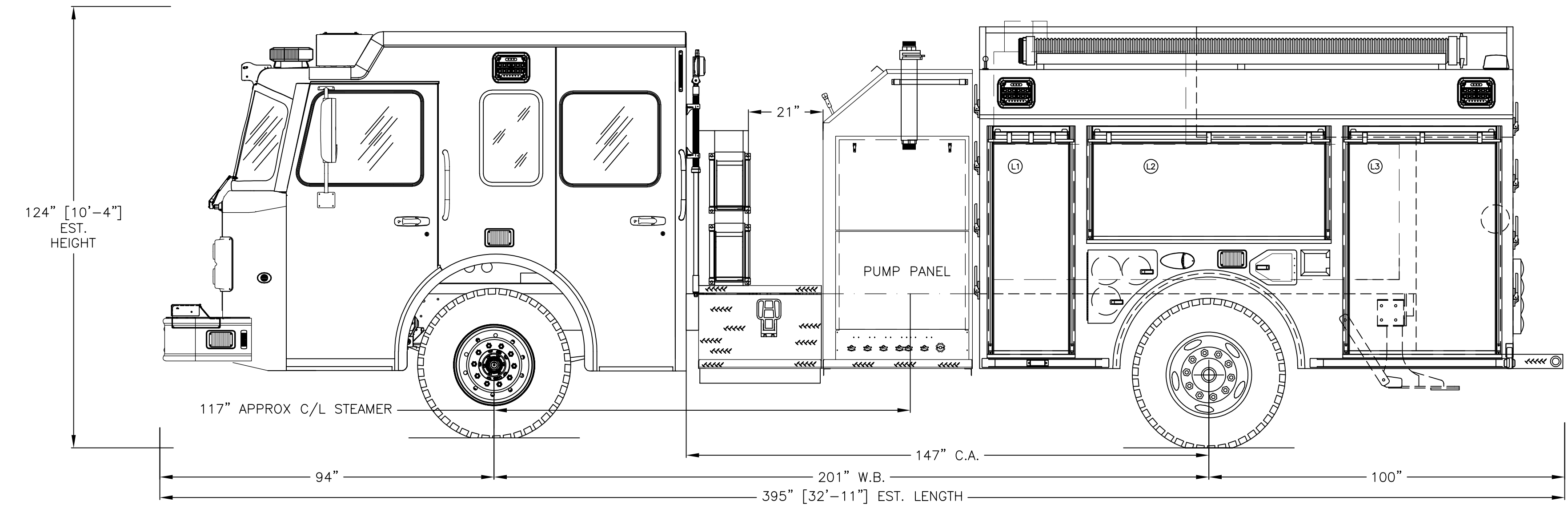


12' 6"
12' 0"
11' 6"
11' 0"
10' 6"
10' 0"
9' 6"
9' 0"
8' 6"
8' 0"
7' 6"
7' 0"
6' 6"
6' 0"
5' 6"
5' 0"
4' 6"
4' 0"
3' 6"
3' 0"
2' 6"
2' 0"
1' 6"
1' 0"
6"



COMPT.	DOOR OPENING	INTERIOR	DIVIDE HEIGHT	OVER. DEPTH	W.DTH
L1/R1	21"W x 58"H	26"W x 72"H	27"	15"	25"
L2/R2	65"W x 26"H	74"W x 38"H	N/A	15"	N/A
L3/R3	41"W x 58"H	44"W x 72"H	27"	15"	26"
T1	37"W x 32"H	46"W x 44"H	N/A	25"	25"

GROUND LADDERS & PIKE POLES				
ITEM	DESCRIPTION	MODEL #	QTY	
A	24' 2-SEC EXTENSION	B00A (SFA SPLY)	1	
B	14' ROOF	CUST SPLY	1	
C	10' FOLDING ATTIC	CUST SPLY	1	
D	PIKE POLE	CUST SPLY	3	



**NOTE:**  
THIS DRAWING IS THE PROPERTY OF SPARTAN FIRE LLC AND IS TO BE USED ONLY IN REFERENCE TO THE WORK PROPOSED OR CONTRACTED BY SPARTAN FIRE LLC ANY REPRODUCTION IN PART OR IN WHOLE WITHOUT THE WRITTEN PERMISSION OF SPARTAN FIRE LLC IS STRICTLY PROHIBITED.  
DIMENSIONS SHOWN ARE APPROXIMATE AND ARE SUBJECT TO CHANGE AS MAY BE FOUND NECESSARY DURING CONSTRUCTION. THIS DRAWING MUST BE PLOTTED TO THE PAPER SIZE LISTED IN THE TITLE BLOCK FOR THE LISTED SCALE TO BE VALID.  
THIS DRAWING IS FOR REFERENCE PURPOSES ONLY. SOME ITEMS MAY OR MAY NOT APPEAR ON THE DRAWING THAT MAY OR MAY NOT BE INCLUDED IN THE SPECIFICATIONS. THE SPECIFICATIONS SHALL BE THE FINAL AUTHORITY TO DETERMINE WHAT IS SUPPLIED ON THE APPARATUS.

REV.	INT.	DATE	REVISION HISTORY
01	Brodd	06/08/20	ORIGINAL LAYOUT
02	Brodd	11/09/20	REDUCE BUMPER, GAL, RELOCATE SPEEDLAYS, ADD FOAM CELL AND TANK COVER

**PROPOSAL**

CHASSIS: SPARTAN SIRIUS II MFD 10" RAISED ROOF  
ENGINE: CUMMINS L9 450HP WITH ALLISON 3000 EVS  
PUMP: WATEROUS CXSC20 1250 GPM  
WATER TANK: 1000 U.S. GAL  
FOAM CELL: 20+10 U.S. GAL  
BODY MATERIAL: 3/16" ALUMINUM  
HOSE BED: 95 CUBIC FEET  
GENERATOR: N/A  
COMPARTMENTS: 130 CUBIC FEET



ELIOT FIRE DEPARTMENT			
ELIOT, ME			
MODEL: TOP MOUNT PUMPER			
DEALERSHIP: NEFEA			
SCALE: 1/2" = 1'	DRAWN BY: D.Brodd	DATE: 11/09/2020	
SIZE: 24" X 36"	DRAWING NO: 21080	REV: 02	
SHEET: 1 OF 1			