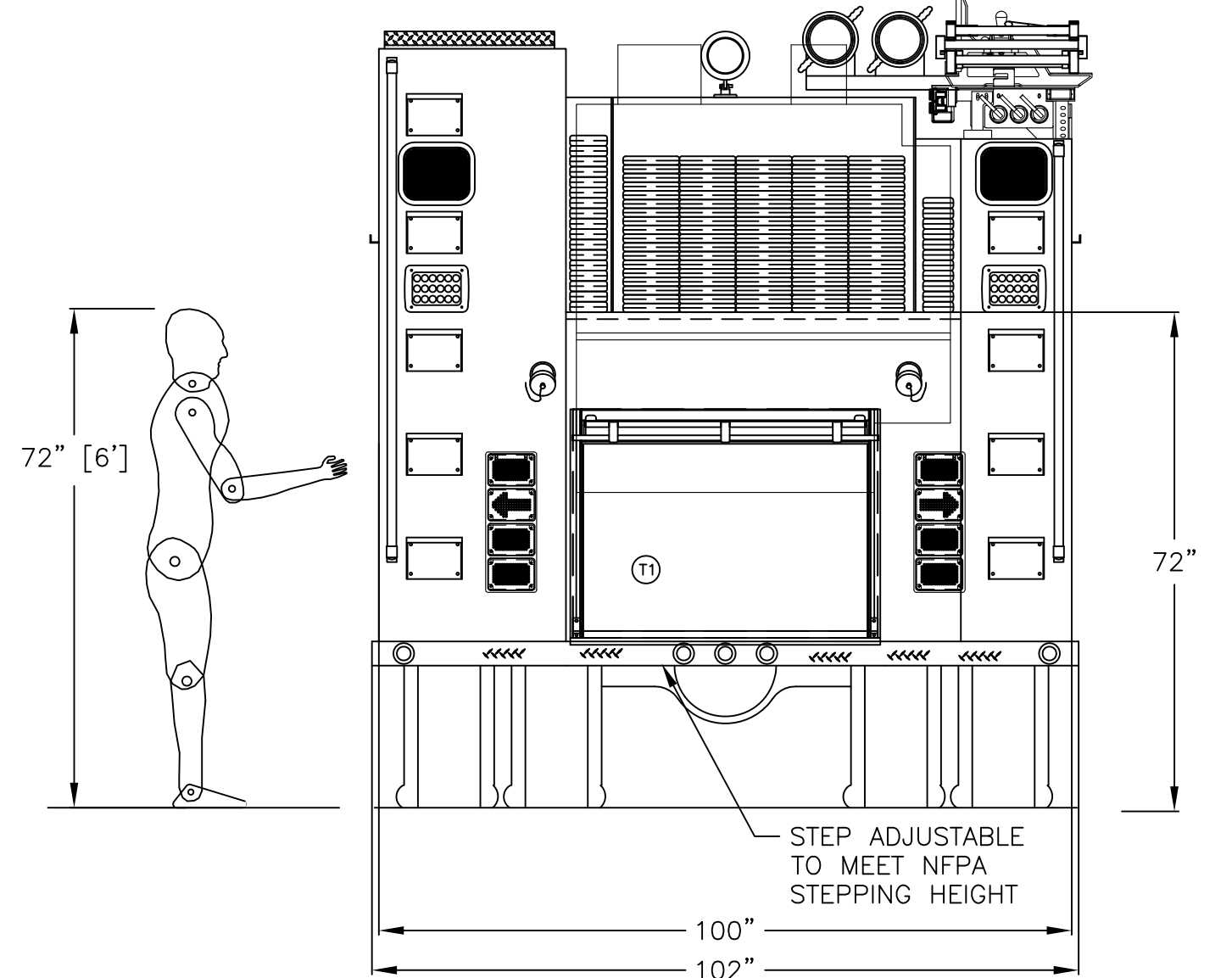
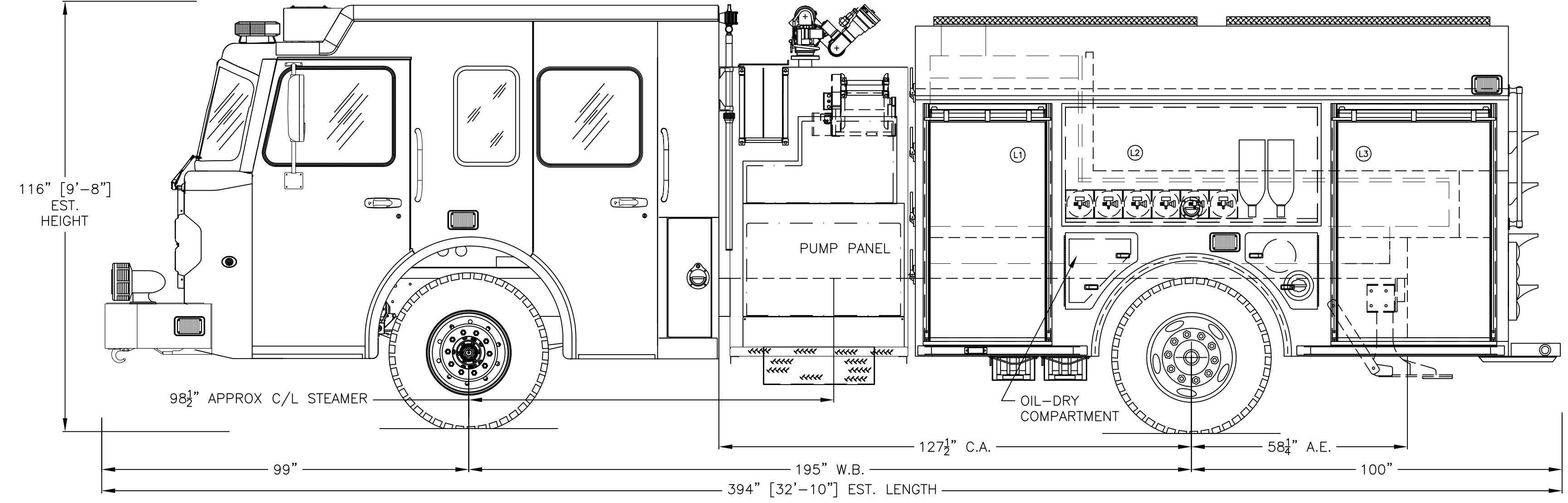


COMPARTMENT DIMENSIONS					
COMPT.	DOOR OPENING	INTERIOR	DIVIDE HEIGHT	UPPER DEPTH	LOWER
L1	31"W x 58"H	36"W x 70"H	N/A	26"	26"
L2	68"W x 30"H	75"W x 38"H	N/A	25"	N/A
L3	41"W x 58"H	44"W x 70"H	N/A	26"	26"
R1	31"W x 58"H	36"W x 70"H	27"	15"	26"
R2	42"W x 30"H	45"W x 38"H	N/A	14"	N/A
R3	41"W x 58"H	44"W x 70"H	27"	15"	26"
T1	41"W x 27"H	46"W x 27"H	N/A	N/A	25"
H1/H2	18"W x 69"H	25"W x 75"H	N/A	16"	16"

GROUND LADDERS & PIKE POLES			
ITEM	DESCRIPTION	MODEL #	QTY
A	24' 2-SEC EXTENSION	900-A	1
B	14' ROOF	775-A	1
C	10' FOLDING ATTIC	585-A	1
D	PIKE POLE	-	2



**NOTE:**  
THIS DRAWING IS THE PROPERTY OF SPARTAN MOTORS USA AND IS TO BE USED ONLY IN REFERENCE TO THE WORK PROPOSED OR CONTRACTED BY SPARTAN MOTORS USA ANY REPRODUCTION IN PART OR IN WHOLE WITHOUT THE WRITTEN PERMISSION OF SPARTAN MOTORS USA IS STRICTLY PROHIBITED.  
DIMENSIONS SHOWN ARE APPROXIMATE AND ARE SUBJECT TO CHANGE AS MAY BE FOUND NECESSARY DURING CONSTRUCTION. THIS DRAWING MUST BE PLOTTED TO THE PAPER SIZE LISTED IN THE TITLE BLOCK FOR THE LISTED SCALE TO BE VALID.  
THIS DRAWING IS FOR REFERENCE PURPOSES ONLY. SOME ITEMS MAY OR MAY NOT APPEAR ON THE DRAWING THAT MAY OR MAY NOT BE INCLUDED IN THE SPECIFICATIONS. THE SPECIFICATIONS SHALL BE THE FINAL AUTHORITY TO DETERMINE WHAT IS SUPPLIED ON THE APPARATUS.

REV	INT.	DATE	REVISION HISTORY
01	Brodd	10/09/18	ORIGINAL LAYOUT
02	Brodd	10/09/18	INCREASE GAL/L1/R1, CHANGE TO SPLIT DEPTH R/L
03	Brodd	10/24/18	CHANGE LEFT SIDE TO FULL DEPTH, REDUCE HOSE LOAD, CHANGE REAR SCENE LIGHTS

**PROPOSAL**

CHASSIS: SPARTAN METRO STAR LFD 10" RAISED ROOF  
ENGINE: CUMMINS L9 450HP WITH ALLISON 3000 EVS  
PUMP: WATEROUS CSUC20 1500 GPM  
WATER TANK: 750 U.S. GAL  
FOAM CELL: 25 U.S. GAL  
BODY MATERIAL: 1/8" ALUMINUM  
HOSE BED: 99 CUBIC FEET  
GENERATOR: HONDA GAS  
COMPARTMENTS: 190 CUBIC FEET



**SMEAL**  
A SPARTAN MOTORS BRAND  
610 W 4TH ST  
SNYDER, NE  
PHONE: (402) 568-2224  
WWW.SMEAL.COM

PADANARAM HOSE CO. #3			
DANBURY, CT			
SIDE MOUNT PUMPER			
MODEL:	NEFEA		
DEALERSHIP:	NEFEA		
SCALE:	1/2" = 1'	DRAWN BY:	D.Brodd
DATE:	10/24/2018	REV:	03
SIZE:	24" X 36"	DRAWING NO.:	19520
SHEET:	1 OF 1		